

SUMAS DE PASCUAS (G)

Sigue al Conejo de Pascuas hasta su cesta. Calcula cada respuesta por el camino.



$$\begin{array}{r} 10 \\ + 2 \\ \hline \square \end{array}$$

$$\begin{array}{r} 36 \\ + 35 \\ \hline \square \end{array}$$

$$\begin{array}{r} 42 \\ + 41 \\ \hline \square \end{array}$$

$$\begin{array}{r} 9 \\ + 7 \\ \hline \square \end{array}$$

$$\begin{array}{r} 48 \\ + 22 \\ \hline \square \end{array}$$

$$\begin{array}{r} 13 \\ + 47 \\ \hline \square \end{array}$$

$$\begin{array}{r} 35 \\ + 15 \\ \hline \square \end{array}$$

$$\begin{array}{r} 19 \\ + 3 \\ \hline \square \end{array}$$

$$\begin{array}{r} 45 \\ + 16 \\ \hline \square \end{array}$$

$$\begin{array}{r} 41 \\ + 45 \\ \hline \square \end{array}$$

$$\begin{array}{r} 46 \\ + 37 \\ \hline \square \end{array}$$

$$\begin{array}{r} 38 \\ + 34 \\ \hline \square \end{array}$$

$$\begin{array}{r} 14 \\ + 22 \\ \hline \square \end{array}$$

$$\begin{array}{r} 23 \\ + 27 \\ \hline \square \end{array}$$

$$\begin{array}{r} 33 \\ + 19 \\ \hline \square \end{array}$$

$$\begin{array}{r} 14 \\ + 10 \\ \hline \square \end{array}$$

$$\begin{array}{r} 13 \\ + 4 \\ \hline \square \end{array}$$

$$\begin{array}{r} 49 \\ + 34 \\ \hline \square \end{array}$$

$$\begin{array}{r} 9 \\ + 24 \\ \hline \square \end{array}$$

$$\begin{array}{r} 5 \\ + 21 \\ \hline \square \end{array}$$


$$\begin{array}{r} 22 \\ + 34 \\ \hline \square \end{array}$$

$$\begin{array}{r} 16 \\ + 9 \\ \hline \square \end{array}$$

$$\begin{array}{r} 11 \\ + 23 \\ \hline \square \end{array}$$

$$\begin{array}{r} 21 \\ + 24 \\ \hline \square \end{array}$$

$$\begin{array}{r} 9 \\ + 35 \\ \hline \square \end{array}$$

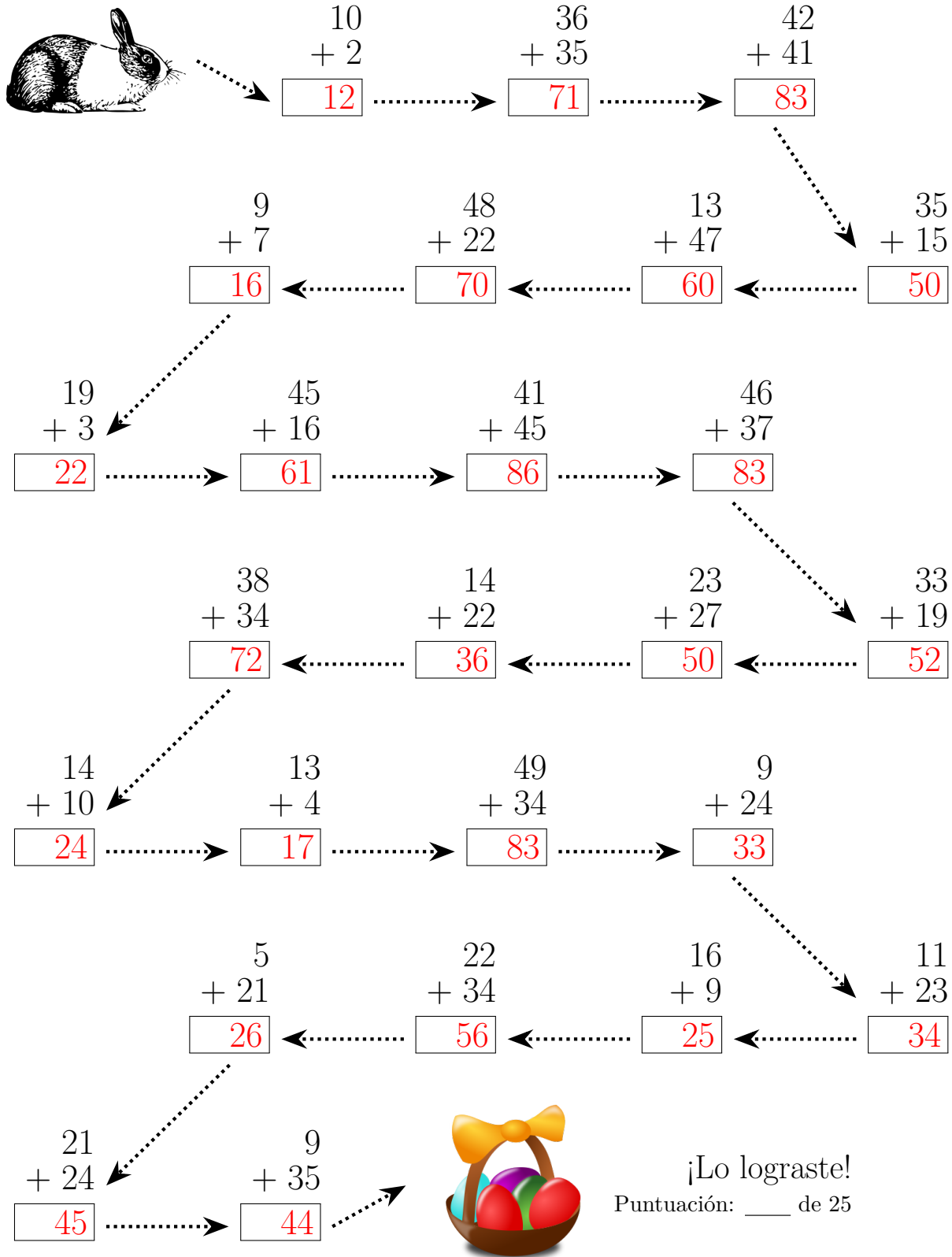


¡Lo lograste!

Puntuación: ___ de 25

SUMAS DE PASCUAS (G) RESPUESTAS

Sigue al Conejo de Pascuas hasta su cesta. Calcula cada respuesta por el camino.



The path consists of the following addition problems and their solutions:

- $10 + 2 = 12$
- $36 + 35 = 71$
- $42 + 41 = 83$
- $9 + 7 = 16$
- $48 + 22 = 70$
- $13 + 47 = 60$
- $35 + 15 = 50$
- $19 + 3 = 22$
- $45 + 16 = 61$
- $41 + 45 = 86$
- $46 + 37 = 83$
- $38 + 34 = 72$
- $14 + 22 = 36$
- $23 + 27 = 50$
- $33 + 19 = 52$
- $14 + 10 = 24$
- $13 + 4 = 17$
- $49 + 34 = 83$
- $9 + 24 = 33$
- $5 + 21 = 26$
- $22 + 34 = 56$
- $16 + 9 = 25$
- $11 + 23 = 34$
- $21 + 24 = 45$
- $9 + 35 = 44$

¡Lo lograste!
Puntuación: ___ de 25