

# SUMAS DE PASCUAS 10

Sigue al Conejo de Pascuas hasta su cesta. Calcula cada respuesta por el camino.



$$\begin{array}{r} 30 \\ + 13 \\ \hline \square \end{array}$$

$$\begin{array}{r} 43 \\ + 40 \\ \hline \square \end{array}$$

$$\begin{array}{r} 23 \\ + 1 \\ \hline \square \end{array}$$

$$\begin{array}{r} 12 \\ + 28 \\ \hline \square \end{array}$$

$$\begin{array}{r} 33 \\ + 1 \\ \hline \square \end{array}$$

$$\begin{array}{r} 7 \\ + 37 \\ \hline \square \end{array}$$

$$\begin{array}{r} 31 \\ + 45 \\ \hline \square \end{array}$$

$$\begin{array}{r} 9 \\ + 11 \\ \hline \square \end{array}$$

$$\begin{array}{r} 45 \\ + 7 \\ \hline \square \end{array}$$

$$\begin{array}{r} 41 \\ + 26 \\ \hline \square \end{array}$$

$$\begin{array}{r} 45 \\ + 36 \\ \hline \square \end{array}$$

$$\begin{array}{r} 9 \\ + 10 \\ \hline \square \end{array}$$

$$\begin{array}{r} 45 \\ + 42 \\ \hline \square \end{array}$$

$$\begin{array}{r} 42 \\ + 27 \\ \hline \square \end{array}$$

$$\begin{array}{r} 10 \\ + 2 \\ \hline \square \end{array}$$

$$\begin{array}{r} 49 \\ + 22 \\ \hline \square \end{array}$$

$$\begin{array}{r} 12 \\ + 1 \\ \hline \square \end{array}$$

$$\begin{array}{r} 48 \\ + 23 \\ \hline \square \end{array}$$

$$\begin{array}{r} 22 \\ + 45 \\ \hline \square \end{array}$$

$$\begin{array}{r} 14 \\ + 7 \\ \hline \square \end{array}$$


$$\begin{array}{r} 23 \\ + 32 \\ \hline \square \end{array}$$

$$\begin{array}{r} 46 \\ + 42 \\ \hline \square \end{array}$$

$$\begin{array}{r} 16 \\ + 37 \\ \hline \square \end{array}$$

$$\begin{array}{r} 22 \\ + 32 \\ \hline \square \end{array}$$

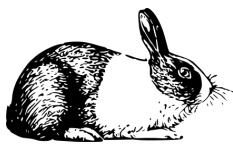
$$\begin{array}{r} 33 \\ + 49 \\ \hline \square \end{array}$$



¡Lo lograste!  
 Puntuación: \_\_\_ de 25

# SUMAS DE PASCUAS (1) RESPUESTAS

Sigue al Conejo de Pascuas hasta su cesta. Calcula cada respuesta por el camino.



$$\begin{array}{r} 30 \\ + 13 \\ \hline 43 \end{array}$$

$$\begin{array}{r} 43 \\ + 40 \\ \hline 83 \end{array}$$

$$\begin{array}{r} 23 \\ + 1 \\ \hline 24 \end{array}$$

$$\begin{array}{r} 12 \\ + 28 \\ \hline 40 \end{array}$$

$$\begin{array}{r} 33 \\ + 1 \\ \hline 34 \end{array}$$

$$\begin{array}{r} 7 \\ + 37 \\ \hline 44 \end{array}$$

$$\begin{array}{r} 31 \\ + 45 \\ \hline 76 \end{array}$$

$$\begin{array}{r} 9 \\ + 11 \\ \hline 20 \end{array}$$

$$\begin{array}{r} 45 \\ + 7 \\ \hline 52 \end{array}$$

$$\begin{array}{r} 41 \\ + 26 \\ \hline 67 \end{array}$$

$$\begin{array}{r} 45 \\ + 36 \\ \hline 81 \end{array}$$

$$\begin{array}{r} 9 \\ + 10 \\ \hline 19 \end{array}$$

$$\begin{array}{r} 45 \\ + 42 \\ \hline 87 \end{array}$$

$$\begin{array}{r} 42 \\ + 27 \\ \hline 69 \end{array}$$

$$\begin{array}{r} 10 \\ + 2 \\ \hline 12 \end{array}$$

$$\begin{array}{r} 49 \\ + 22 \\ \hline 71 \end{array}$$

$$\begin{array}{r} 12 \\ + 1 \\ \hline 13 \end{array}$$

$$\begin{array}{r} 48 \\ + 23 \\ \hline 71 \end{array}$$

$$\begin{array}{r} 22 \\ + 45 \\ \hline 67 \end{array}$$

$$\begin{array}{r} 14 \\ + 7 \\ \hline 21 \end{array}$$


$$\begin{array}{r} 23 \\ + 32 \\ \hline 55 \end{array}$$

$$\begin{array}{r} 46 \\ + 42 \\ \hline 88 \end{array}$$

$$\begin{array}{r} 16 \\ + 37 \\ \hline 53 \end{array}$$

$$\begin{array}{r} 22 \\ + 32 \\ \hline 54 \end{array}$$

$$\begin{array}{r} 33 \\ + 49 \\ \hline 82 \end{array}$$



¡Lo lograste!  
 Puntuación: \_\_\_\_ de 25