

OPERACIONES DE PASCUAS (A)

Sigue al Conejo de Pascuas hasta su cesta. Calcula cada respuesta por el camino.



$$\begin{array}{r} 2193 \\ \div 43 \\ \hline \end{array}$$

$$\begin{array}{r} 22 \\ + 33 \\ \hline \end{array}$$

$$\begin{array}{r} 81 \\ \times 94 \\ \hline \end{array}$$

$$\begin{array}{r} 14 \\ \times 20 \\ \hline \end{array}$$

$$\begin{array}{r} 18 \\ + 50 \\ \hline \end{array}$$

$$\begin{array}{r} 154 \\ - 65 \\ \hline \end{array}$$

$$\begin{array}{r} 66 \\ + 81 \\ \hline \end{array}$$

$$\begin{array}{r} 73 \\ \times 97 \\ \hline \end{array}$$

$$\begin{array}{r} 52 \\ + 56 \\ \hline \end{array}$$

$$\begin{array}{r} 161 \\ - 80 \\ \hline \end{array}$$

$$\begin{array}{r} 76 \\ \times 29 \\ \hline \end{array}$$

$$\begin{array}{r} 4221 \\ \div 63 \\ \hline \end{array}$$

$$\begin{array}{r} 73 \\ \times 85 \\ \hline \end{array}$$

$$\begin{array}{r} 69 \\ \times 78 \\ \hline \end{array}$$

$$\begin{array}{r} 91 \\ \times 37 \\ \hline \end{array}$$

$$\begin{array}{r} 81 \\ + 26 \\ \hline \end{array}$$

$$\begin{array}{r} 157 \\ - 74 \\ \hline \end{array}$$

$$\begin{array}{r} 51 \\ + 85 \\ \hline \end{array}$$

$$\begin{array}{r} 32 \\ + 38 \\ \hline \end{array}$$

$$\begin{array}{r} 5880 \\ \div 70 \\ \hline \end{array}$$

$$\begin{array}{r} 486 \\ \div 27 \\ \hline \end{array}$$

$$\begin{array}{r} 26 \\ \times 81 \\ \hline \end{array}$$

$$\begin{array}{r} 106 \\ - 57 \\ \hline \end{array}$$

$$\begin{array}{r} 2992 \\ \div 68 \\ \hline \end{array}$$

$$\begin{array}{r} 13 \\ + 57 \\ \hline \end{array}$$

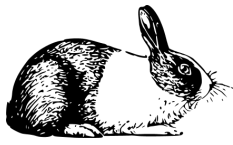


¡Lo lograste!

Puntuación: ___ de 25

OPERACIONES DE PASCUAS (A) RESPUESTAS

Sigue al Conejo de Pascuas hasta su cesta. Calcula cada respuesta por el camino.



$$\begin{array}{r} 2193 \\ \div 43 \\ \hline \end{array}$$

$$\begin{array}{r} 22 \\ + 33 \\ \hline \end{array}$$

$$\begin{array}{r} 81 \\ \times 94 \\ \hline \end{array}$$

51
55
7614

$$\begin{array}{r} 14 \\ \times 20 \\ \hline \end{array}$$

$$\begin{array}{r} 18 \\ + 50 \\ \hline \end{array}$$

$$\begin{array}{r} 154 \\ - 65 \\ \hline \end{array}$$

$$\begin{array}{r} 66 \\ + 81 \\ \hline \end{array}$$

280
68
89
147

$$\begin{array}{r} 73 \\ \times 97 \\ \hline \end{array}$$

$$\begin{array}{r} 52 \\ + 56 \\ \hline \end{array}$$

$$\begin{array}{r} 161 \\ - 80 \\ \hline \end{array}$$

$$\begin{array}{r} 76 \\ \times 29 \\ \hline \end{array}$$

7081
108
81
2204

$$\begin{array}{r} 4221 \\ \div 63 \\ \hline \end{array}$$

$$\begin{array}{r} 73 \\ \times 85 \\ \hline \end{array}$$

$$\begin{array}{r} 69 \\ \times 78 \\ \hline \end{array}$$

$$\begin{array}{r} 91 \\ \times 37 \\ \hline \end{array}$$

67
6205
5382
3367

$$\begin{array}{r} 81 \\ + 26 \\ \hline \end{array}$$

$$\begin{array}{r} 157 \\ - 74 \\ \hline \end{array}$$

$$\begin{array}{r} 51 \\ + 85 \\ \hline \end{array}$$

$$\begin{array}{r} 32 \\ + 38 \\ \hline \end{array}$$

107
83
136
70

$$\begin{array}{r} 5880 \\ \div 70 \\ \hline \end{array}$$

$$\begin{array}{r} 486 \\ \div 27 \\ \hline \end{array}$$

$$\begin{array}{r} 26 \\ \times 81 \\ \hline \end{array}$$

$$\begin{array}{r} 106 \\ - 57 \\ \hline \end{array}$$

84
18
2106
49

$$\begin{array}{r} 2992 \\ \div 68 \\ \hline \end{array}$$

$$\begin{array}{r} 13 \\ + 57 \\ \hline \end{array}$$

44
70

¡Lo lograste!
 Puntuación: ____ de 25

OPERACIONES DE PASCUAS (B)

Sigue al Conejo de Pascuas hasta su cesta. Calcula cada respuesta por el camino.



$$\begin{array}{r} 40 \\ - 27 \\ \hline \end{array}$$

$$\begin{array}{r} 55 \\ + 85 \\ \hline \end{array}$$

$$\begin{array}{r} 882 \\ \div 14 \\ \hline \end{array}$$

$$\begin{array}{r} 59 \\ + 94 \\ \hline \end{array}$$

$$\begin{array}{r} 33 \\ \times 66 \\ \hline \end{array}$$

$$\begin{array}{r} 12 \\ + 60 \\ \hline \end{array}$$

$$\begin{array}{r} 84 \\ \times 14 \\ \hline \end{array}$$

$$\begin{array}{r} 21 \\ + 18 \\ \hline \end{array}$$

$$\begin{array}{r} 3618 \\ \div 54 \\ \hline \end{array}$$

$$\begin{array}{r} 108 \\ - 62 \\ \hline \end{array}$$

$$\begin{array}{r} 52 \\ \times 97 \\ \hline \end{array}$$

$$\begin{array}{r} 149 \\ - 99 \\ \hline \end{array}$$

$$\begin{array}{r} 94 \\ - 58 \\ \hline \end{array}$$

$$\begin{array}{r} 82 \\ + 33 \\ \hline \end{array}$$

$$\begin{array}{r} 166 \\ - 90 \\ \hline \end{array}$$

$$\begin{array}{r} 84 \\ - 24 \\ \hline \end{array}$$

$$\begin{array}{r} 2573 \\ \div 31 \\ \hline \end{array}$$

$$\begin{array}{r} 35 \\ \times 97 \\ \hline \end{array}$$

$$\begin{array}{r} 67 \\ - 26 \\ \hline \end{array}$$

$$\begin{array}{r} 35 \\ \times 60 \\ \hline \end{array}$$

$$\begin{array}{r} 384 \\ \div 16 \\ \hline \end{array}$$

$$\begin{array}{r} 39 \\ + 31 \\ \hline \end{array}$$

$$\begin{array}{r} 85 \\ - 17 \\ \hline \end{array}$$

$$\begin{array}{r} 49 \\ - 30 \\ \hline \end{array}$$

$$\begin{array}{r} 128 \\ - 76 \\ \hline \end{array}$$



¡Lo lograste!
Puntuación: ___ de 25

OPERACIONES DE PASCUAS (B) RESPUESTAS

Sigue al Conejo de Pascuas hasta su cesta. Calcula cada respuesta por el camino.



$$\begin{array}{r} 40 \\ - 27 \\ \hline \end{array}$$

13

$$\begin{array}{r} 55 \\ + 85 \\ \hline \end{array}$$

140

$$\begin{array}{r} 882 \\ \div 14 \\ \hline \end{array}$$

63

$$\begin{array}{r} 59 \\ + 94 \\ \hline \end{array}$$

153

$$\begin{array}{r} 33 \\ \times 66 \\ \hline \end{array}$$

2178

$$\begin{array}{r} 12 \\ + 60 \\ \hline \end{array}$$

72

$$\begin{array}{r} 84 \\ \times 14 \\ \hline \end{array}$$

1176

$$\begin{array}{r} 21 \\ + 18 \\ \hline \end{array}$$

39

$$\begin{array}{r} 3618 \\ \div 54 \\ \hline \end{array}$$

67

$$\begin{array}{r} 108 \\ - 62 \\ \hline \end{array}$$

46

$$\begin{array}{r} 52 \\ \times 97 \\ \hline \end{array}$$

5044

$$\begin{array}{r} 149 \\ - 99 \\ \hline \end{array}$$

50

$$\begin{array}{r} 94 \\ - 58 \\ \hline \end{array}$$

36

$$\begin{array}{r} 82 \\ + 33 \\ \hline \end{array}$$

115

$$\begin{array}{r} 166 \\ - 90 \\ \hline \end{array}$$

76

$$\begin{array}{r} 84 \\ - 24 \\ \hline \end{array}$$

60

$$\begin{array}{r} 2573 \\ \div 31 \\ \hline \end{array}$$

83

$$\begin{array}{r} 35 \\ \times 97 \\ \hline \end{array}$$

3395

$$\begin{array}{r} 67 \\ - 26 \\ \hline \end{array}$$

41

$$\begin{array}{r} 35 \\ \times 60 \\ \hline \end{array}$$

2100

$$\begin{array}{r} 384 \\ \div 16 \\ \hline \end{array}$$

24

$$\begin{array}{r} 39 \\ + 31 \\ \hline \end{array}$$

70

$$\begin{array}{r} 85 \\ - 17 \\ \hline \end{array}$$

68

$$\begin{array}{r} 49 \\ - 30 \\ \hline \end{array}$$

19

$$\begin{array}{r} 128 \\ - 76 \\ \hline \end{array}$$

52



¡Lo lograste!
Puntuación: ___ de 25

OPERACIONES DE PASCUAS (C)

Sigue al Conejo de Pascuas hasta su cesta. Calcula cada respuesta por el camino.



$$\begin{array}{r} 42 \\ - 30 \\ \hline \end{array}$$

$$\begin{array}{r} 774 \\ \div 18 \\ \hline \end{array}$$

$$\begin{array}{r} 3060 \\ \div 60 \\ \hline \end{array}$$

$$\begin{array}{r} 3268 \\ \div 43 \\ \hline \end{array}$$

$$\begin{array}{r} 16 \\ + 63 \\ \hline \end{array}$$

$$\begin{array}{r} 45 \\ + 87 \\ \hline \end{array}$$

$$\begin{array}{r} 1932 \\ \div 46 \\ \hline \end{array}$$

$$\begin{array}{r} 29 \\ + 41 \\ \hline \end{array}$$

$$\begin{array}{r} 85 \\ + 91 \\ \hline \end{array}$$

$$\begin{array}{r} 83 \\ \times 59 \\ \hline \end{array}$$

$$\begin{array}{r} 96 \\ \times 22 \\ \hline \end{array}$$

$$\begin{array}{r} 84 \\ \times 34 \\ \hline \end{array}$$

$$\begin{array}{r} 53 \\ + 48 \\ \hline \end{array}$$

$$\begin{array}{r} 63 \\ - 24 \\ \hline \end{array}$$

$$\begin{array}{r} 1020 \\ \div 20 \\ \hline \end{array}$$

$$\begin{array}{r} 72 \\ + 28 \\ \hline \end{array}$$

$$\begin{array}{r} 18 \\ \times 72 \\ \hline \end{array}$$

$$\begin{array}{r} 38 \\ - 11 \\ \hline \end{array}$$

$$\begin{array}{r} 115 \\ - 93 \\ \hline \end{array}$$

$$\begin{array}{r} 89 \\ - 56 \\ \hline \end{array}$$

$$\begin{array}{r} 49 \\ - 34 \\ \hline \end{array}$$

$$\begin{array}{r} 83 \\ - 40 \\ \hline \end{array}$$

$$\begin{array}{r} 1501 \\ \div 79 \\ \hline \end{array}$$

$$\begin{array}{r} 5100 \\ \div 60 \\ \hline \end{array}$$

$$\begin{array}{r} 50 \\ + 55 \\ \hline \end{array}$$



¡Lo lograste!
Puntuación: ___ de 25

OPERACIONES DE PASCUAS (C) RESPUESTAS

Sigue al Conejo de Pascuas hasta su cesta. Calcula cada respuesta por el camino.



$$\begin{array}{r} 42 \\ - 30 \\ \hline \end{array}$$

$$\begin{array}{r} 774 \\ \div 18 \\ \hline \end{array}$$

$$\begin{array}{r} 3060 \\ \div 60 \\ \hline \end{array}$$

12

43

51

$$\begin{array}{r} 3268 \\ \div 43 \\ \hline \end{array}$$

$$\begin{array}{r} 16 \\ + 63 \\ \hline \end{array}$$

$$\begin{array}{r} 45 \\ + 87 \\ \hline \end{array}$$

$$\begin{array}{r} 1932 \\ \div 46 \\ \hline \end{array}$$

76

79

132

42

$$\begin{array}{r} 29 \\ + 41 \\ \hline \end{array}$$

$$\begin{array}{r} 85 \\ + 91 \\ \hline \end{array}$$

$$\begin{array}{r} 83 \\ \times 59 \\ \hline \end{array}$$

$$\begin{array}{r} 96 \\ \times 22 \\ \hline \end{array}$$

70

176

4897

2112

$$\begin{array}{r} 84 \\ \times 34 \\ \hline \end{array}$$

$$\begin{array}{r} 53 \\ + 48 \\ \hline \end{array}$$

$$\begin{array}{r} 63 \\ - 24 \\ \hline \end{array}$$

$$\begin{array}{r} 1020 \\ \div 20 \\ \hline \end{array}$$

2856

101

39

51

$$\begin{array}{r} 72 \\ + 28 \\ \hline \end{array}$$

$$\begin{array}{r} 18 \\ \times 72 \\ \hline \end{array}$$

$$\begin{array}{r} 38 \\ - 11 \\ \hline \end{array}$$

$$\begin{array}{r} 115 \\ - 93 \\ \hline \end{array}$$

100

1296

27

22

$$\begin{array}{r} 89 \\ - 56 \\ \hline \end{array}$$

$$\begin{array}{r} 49 \\ - 34 \\ \hline \end{array}$$

$$\begin{array}{r} 83 \\ - 40 \\ \hline \end{array}$$

$$\begin{array}{r} 1501 \\ \div 79 \\ \hline \end{array}$$

33

15

43

19

$$\begin{array}{r} 5100 \\ \div 60 \\ \hline \end{array}$$

$$\begin{array}{r} 50 \\ + 55 \\ \hline \end{array}$$

85

105



¡Lo lograste!
Puntuación: ___ de 25

OPERACIONES DE PASCUAS (D)

Sigue al Conejo de Pascuas hasta su cesta. Calcula cada respuesta por el camino.



$$\begin{array}{r} 94 \\ \times 24 \\ \hline \end{array}$$

$$\begin{array}{r} 4876 \\ \div 53 \\ \hline \end{array}$$

$$\begin{array}{r} 21 \\ + 42 \\ \hline \end{array}$$

$$\begin{array}{r} 88 \\ - 52 \\ \hline \end{array}$$

$$\begin{array}{r} 93 \\ - 40 \\ \hline \end{array}$$

$$\begin{array}{r} 75 \\ + 75 \\ \hline \end{array}$$

$$\begin{array}{r} 17 \\ \times 39 \\ \hline \end{array}$$

$$\begin{array}{r} 55 \\ \times 23 \\ \hline \end{array}$$

$$\begin{array}{r} 82 \\ - 66 \\ \hline \end{array}$$

$$\begin{array}{r} 23 \\ \times 83 \\ \hline \end{array}$$

$$\begin{array}{r} 30 \\ \times 84 \\ \hline \end{array}$$

$$\begin{array}{r} 1940 \\ \div 20 \\ \hline \end{array}$$

$$\begin{array}{r} 47 \\ - 11 \\ \hline \end{array}$$

$$\begin{array}{r} 99 \\ \times 30 \\ \hline \end{array}$$

$$\begin{array}{r} 816 \\ \div 34 \\ \hline \end{array}$$

$$\begin{array}{r} 2450 \\ \div 35 \\ \hline \end{array}$$

$$\begin{array}{r} 3139 \\ \div 73 \\ \hline \end{array}$$

$$\begin{array}{r} 57 \\ - 28 \\ \hline \end{array}$$

$$\begin{array}{r} 3182 \\ \div 74 \\ \hline \end{array}$$

$$\begin{array}{r} 96 \\ + 49 \\ \hline \end{array}$$

$$\begin{array}{r} 62 \\ \times 63 \\ \hline \end{array}$$

$$\begin{array}{r} 70 \\ \times 47 \\ \hline \end{array}$$

$$\begin{array}{r} 42 \\ + 89 \\ \hline \end{array}$$

$$\begin{array}{r} 113 \\ - 35 \\ \hline \end{array}$$

$$\begin{array}{r} 76 \\ - 27 \\ \hline \end{array}$$

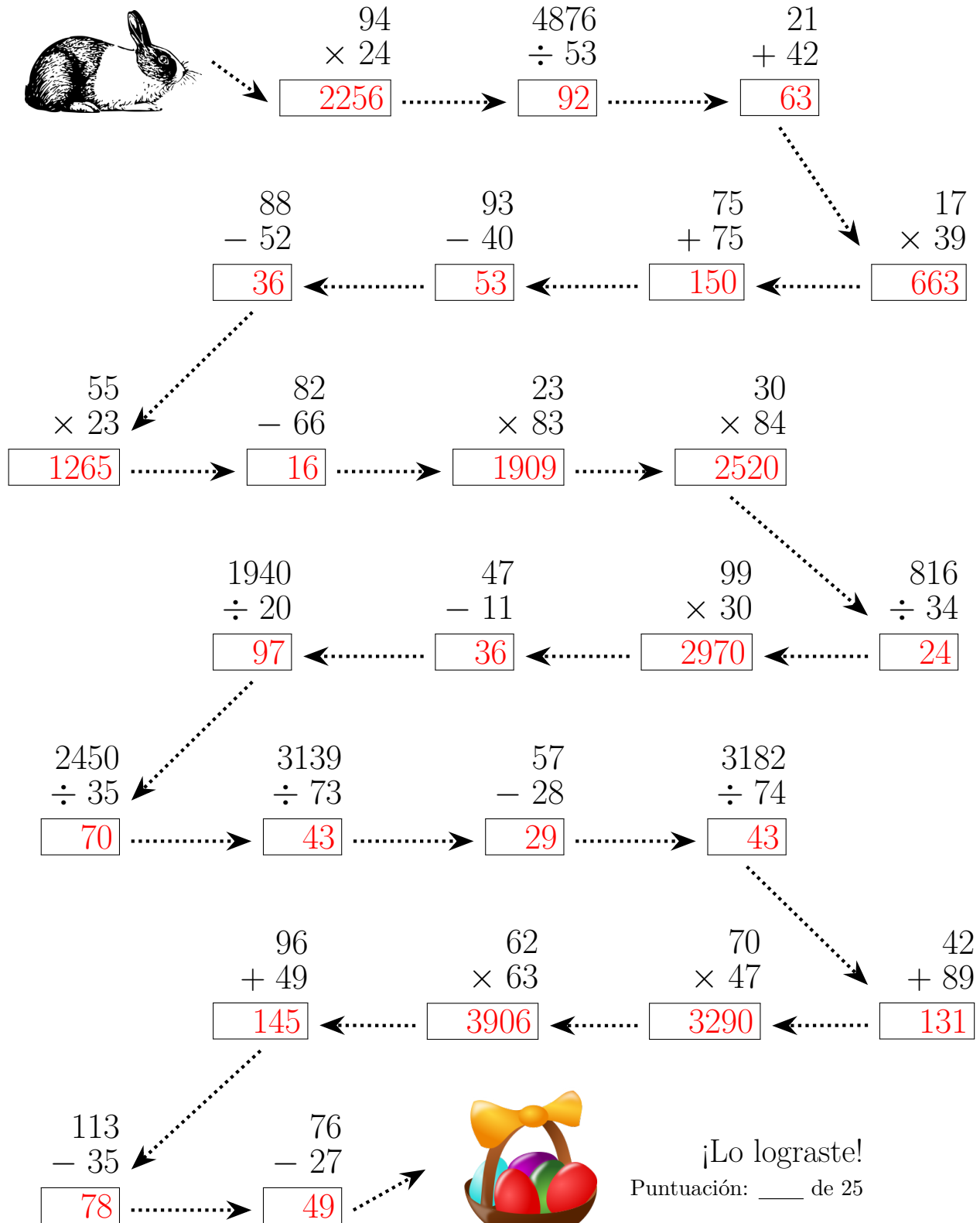


¡Lo lograste!

Puntuación: ____ de 25

OPERACIONES DE PASCUAS (D) RESPUESTAS

Sigue al Conejo de Pascuas hasta su cesta. Calcula cada respuesta por el camino.



OPERACIONES DE PASCUAS (E)

Sigue al Conejo de Pascuas hasta su cesta. Calcula cada respuesta por el camino.



$$\begin{array}{r} 141 \\ - 56 \\ \hline \square \end{array}$$

$$\begin{array}{r} 53 \\ - 27 \\ \hline \square \end{array}$$

$$\begin{array}{r} 665 \\ \div 19 \\ \hline \square \end{array}$$

$$\begin{array}{r} 23 \\ + 64 \\ \hline \square \end{array}$$

$$\begin{array}{r} 77 \\ + 26 \\ \hline \square \end{array}$$

$$\begin{array}{r} 38 \\ + 78 \\ \hline \square \end{array}$$

$$\begin{array}{r} 1992 \\ \div 83 \\ \hline \square \end{array}$$

$$\begin{array}{r} 109 \\ - 60 \\ \hline \square \end{array}$$

$$\begin{array}{r} 7254 \\ \div 78 \\ \hline \square \end{array}$$

$$\begin{array}{r} 52 \\ \times 60 \\ \hline \square \end{array}$$

$$\begin{array}{r} 115 \\ - 17 \\ \hline \square \end{array}$$

$$\begin{array}{r} 5330 \\ \div 65 \\ \hline \square \end{array}$$

$$\begin{array}{r} 148 \\ - 66 \\ \hline \square \end{array}$$

$$\begin{array}{r} 1032 \\ \div 43 \\ \hline \square \end{array}$$

$$\begin{array}{r} 40 \\ \times 85 \\ \hline \square \end{array}$$

$$\begin{array}{r} 2842 \\ \div 58 \\ \hline \square \end{array}$$

$$\begin{array}{r} 483 \\ \div 21 \\ \hline \square \end{array}$$

$$\begin{array}{r} 38 \\ + 23 \\ \hline \square \end{array}$$

$$\begin{array}{r} 8924 \\ \div 92 \\ \hline \square \end{array}$$

$$\begin{array}{r} 93 \\ + 45 \\ \hline \square \end{array}$$

$$\begin{array}{r} 7031 \\ \div 79 \\ \hline \square \end{array}$$

$$\begin{array}{r} 7636 \\ \div 83 \\ \hline \square \end{array}$$

$$\begin{array}{r} 40 \\ + 55 \\ \hline \square \end{array}$$

$$\begin{array}{r} 93 \\ \times 83 \\ \hline \square \end{array}$$

$$\begin{array}{r} 72 \\ \times 98 \\ \hline \square \end{array}$$



¡Lo lograste!

Puntuación: ___ de 25

OPERACIONES DE PASCUAS (E) RESPUESTAS

Sigue al Conejo de Pascuas hasta su cesta. Calcula cada respuesta por el camino.



$$\begin{array}{r} 141 \\ - 56 \\ \hline \end{array}$$

$$\begin{array}{r} 53 \\ - 27 \\ \hline \end{array}$$

$$\begin{array}{r} 665 \\ \div 19 \\ \hline \end{array}$$

$$\begin{array}{r} 23 \\ + 64 \\ \hline \end{array}$$

$$\begin{array}{r} 77 \\ + 26 \\ \hline \end{array}$$

$$\begin{array}{r} 38 \\ + 78 \\ \hline \end{array}$$

$$\begin{array}{r} 1992 \\ \div 83 \\ \hline \end{array}$$

$$\begin{array}{r} 109 \\ - 60 \\ \hline \end{array}$$

$$\begin{array}{r} 7254 \\ \div 78 \\ \hline \end{array}$$

$$\begin{array}{r} 52 \\ \times 60 \\ \hline \end{array}$$

$$\begin{array}{r} 115 \\ - 17 \\ \hline \end{array}$$

$$\begin{array}{r} 5330 \\ \div 65 \\ \hline \end{array}$$

$$\begin{array}{r} 148 \\ - 66 \\ \hline \end{array}$$

$$\begin{array}{r} 1032 \\ \div 43 \\ \hline \end{array}$$

$$\begin{array}{r} 40 \\ \times 85 \\ \hline \end{array}$$

$$\begin{array}{r} 2842 \\ \div 58 \\ \hline \end{array}$$

$$\begin{array}{r} 483 \\ \div 21 \\ \hline \end{array}$$

$$\begin{array}{r} 38 \\ + 23 \\ \hline \end{array}$$

$$\begin{array}{r} 8924 \\ \div 92 \\ \hline \end{array}$$

$$\begin{array}{r} 93 \\ + 45 \\ \hline \end{array}$$

$$\begin{array}{r} 7031 \\ \div 79 \\ \hline \end{array}$$

$$\begin{array}{r} 7636 \\ \div 83 \\ \hline \end{array}$$

$$\begin{array}{r} 40 \\ + 55 \\ \hline \end{array}$$

$$\begin{array}{r} 93 \\ \times 83 \\ \hline \end{array}$$

$$\begin{array}{r} 72 \\ \times 98 \\ \hline \end{array}$$



¡Lo lograste!

Puntuación: ____ de 25

OPERACIONES DE PASCUAS (F)

Sigue al Conejo de Pascuas hasta su cesta. Calcula cada respuesta por el camino.



$$\begin{array}{r} 80 \\ + 49 \\ \hline \end{array}$$

$$\begin{array}{r} 5850 \\ \div 75 \\ \hline \end{array}$$

$$\begin{array}{r} 15 \\ \times 79 \\ \hline \end{array}$$

$$\begin{array}{r} 97 \\ - 40 \\ \hline \end{array}$$

$$\begin{array}{r} 58 \\ \times 44 \\ \hline \end{array}$$

$$\begin{array}{r} 43 \\ \times 30 \\ \hline \end{array}$$

$$\begin{array}{r} 1170 \\ \div 45 \\ \hline \end{array}$$

$$\begin{array}{r} 87 \\ \times 97 \\ \hline \end{array}$$

$$\begin{array}{r} 11 \\ \times 88 \\ \hline \end{array}$$

$$\begin{array}{r} 6716 \\ \div 73 \\ \hline \end{array}$$

$$\begin{array}{r} 18 \\ + 19 \\ \hline \end{array}$$

$$\begin{array}{r} 98 \\ \times 82 \\ \hline \end{array}$$

$$\begin{array}{r} 95 \\ + 83 \\ \hline \end{array}$$

$$\begin{array}{r} 91 \\ + 93 \\ \hline \end{array}$$

$$\begin{array}{r} 80 \\ \times 57 \\ \hline \end{array}$$

$$\begin{array}{r} 90 \\ - 80 \\ \hline \end{array}$$

$$\begin{array}{r} 31 \\ + 54 \\ \hline \end{array}$$

$$\begin{array}{r} 161 \\ - 64 \\ \hline \end{array}$$

$$\begin{array}{r} 51 \\ + 93 \\ \hline \end{array}$$

$$\begin{array}{r} 114 \\ - 28 \\ \hline \end{array}$$

$$\begin{array}{r} 2610 \\ \div 90 \\ \hline \end{array}$$

$$\begin{array}{r} 79 \\ \times 15 \\ \hline \end{array}$$

$$\begin{array}{r} 146 \\ - 98 \\ \hline \end{array}$$

$$\begin{array}{r} 4278 \\ \div 93 \\ \hline \end{array}$$

$$\begin{array}{r} 1204 \\ \div 28 \\ \hline \end{array}$$



¡Lo lograste!

Puntuación: ___ de 25

OPERACIONES DE PASCUAS (F) RESPUESTAS

Sigue al Conejo de Pascuas hasta su cesta. Calcula cada respuesta por el camino.



$$\begin{array}{r} 80 \\ + 49 \\ \hline 129 \end{array}$$

$$\begin{array}{r} 5850 \\ \div 75 \\ \hline 78 \end{array}$$

$$\begin{array}{r} 15 \\ \times 79 \\ \hline 1185 \end{array}$$

$$\begin{array}{r} 97 \\ - 40 \\ \hline 57 \end{array}$$

$$\begin{array}{r} 58 \\ \times 44 \\ \hline 2552 \end{array}$$

$$\begin{array}{r} 43 \\ \times 30 \\ \hline 1290 \end{array}$$

$$\begin{array}{r} 1170 \\ \div 45 \\ \hline 26 \end{array}$$

$$\begin{array}{r} 87 \\ \times 97 \\ \hline 8439 \end{array}$$

$$\begin{array}{r} 11 \\ \times 88 \\ \hline 968 \end{array}$$

$$\begin{array}{r} 6716 \\ \div 73 \\ \hline 92 \end{array}$$

$$\begin{array}{r} 18 \\ + 19 \\ \hline 37 \end{array}$$

$$\begin{array}{r} 98 \\ \times 82 \\ \hline 8036 \end{array}$$

$$\begin{array}{r} 95 \\ + 83 \\ \hline 178 \end{array}$$

$$\begin{array}{r} 91 \\ + 93 \\ \hline 184 \end{array}$$

$$\begin{array}{r} 80 \\ \times 57 \\ \hline 4560 \end{array}$$

$$\begin{array}{r} 90 \\ - 80 \\ \hline 10 \end{array}$$

$$\begin{array}{r} 31 \\ + 54 \\ \hline 85 \end{array}$$

$$\begin{array}{r} 161 \\ - 64 \\ \hline 97 \end{array}$$

$$\begin{array}{r} 51 \\ + 93 \\ \hline 144 \end{array}$$

$$\begin{array}{r} 114 \\ - 28 \\ \hline 86 \end{array}$$

$$\begin{array}{r} 2610 \\ \div 90 \\ \hline 29 \end{array}$$

$$\begin{array}{r} 79 \\ \times 15 \\ \hline 1185 \end{array}$$

$$\begin{array}{r} 146 \\ - 98 \\ \hline 48 \end{array}$$

$$\begin{array}{r} 4278 \\ \div 93 \\ \hline 46 \end{array}$$

$$\begin{array}{r} 1204 \\ \div 28 \\ \hline 43 \end{array}$$

¡Lo lograste!
 Puntuación: ___ de 25

OPERACIONES DE PASCUAS (G)

Sigue al Conejo de Pascuas hasta su cesta. Calcula cada respuesta por el camino.



$$\begin{array}{r} 16 \\ \times 38 \\ \hline \end{array}$$

$$\begin{array}{r} 75 \\ + 89 \\ \hline \end{array}$$

$$\begin{array}{r} 47 \\ \times 18 \\ \hline \end{array}$$

$$\begin{array}{r} 4275 \\ \div 57 \\ \hline \end{array}$$

$$\begin{array}{r} 36 \\ + 98 \\ \hline \end{array}$$

$$\begin{array}{r} 27 \\ + 66 \\ \hline \end{array}$$

$$\begin{array}{r} 285 \\ \div 19 \\ \hline \end{array}$$

$$\begin{array}{r} 17 \\ \times 85 \\ \hline \end{array}$$

$$\begin{array}{r} 98 \\ + 46 \\ \hline \end{array}$$

$$\begin{array}{r} 40 \\ \times 63 \\ \hline \end{array}$$

$$\begin{array}{r} 6003 \\ \div 69 \\ \hline \end{array}$$

$$\begin{array}{r} 133 \\ - 78 \\ \hline \end{array}$$

$$\begin{array}{r} 112 \\ - 91 \\ \hline \end{array}$$

$$\begin{array}{r} 118 \\ - 68 \\ \hline \end{array}$$

$$\begin{array}{r} 1856 \\ \div 58 \\ \hline \end{array}$$

$$\begin{array}{r} 28 \\ + 85 \\ \hline \end{array}$$

$$\begin{array}{r} 140 \\ - 82 \\ \hline \end{array}$$

$$\begin{array}{r} 42 \\ \times 97 \\ \hline \end{array}$$

$$\begin{array}{r} 103 \\ - 62 \\ \hline \end{array}$$

$$\begin{array}{r} 84 \\ - 60 \\ \hline \end{array}$$

$$\begin{array}{r} 40 \\ \times 41 \\ \hline \end{array}$$

$$\begin{array}{r} 7008 \\ \div 73 \\ \hline \end{array}$$

$$\begin{array}{r} 62 \\ - 15 \\ \hline \end{array}$$

$$\begin{array}{r} 40 \\ \times 40 \\ \hline \end{array}$$

$$\begin{array}{r} 65 \\ + 66 \\ \hline \end{array}$$



¡Lo lograste!

Puntuación: ___ de 25

OPERACIONES DE PASCUAS (G) RESPUESTAS

Sigue al Conejo de Pascuas hasta su cesta. Calcula cada respuesta por el camino.



$$\begin{array}{r} 16 \\ \times 38 \\ \hline \end{array}$$

608

$$\begin{array}{r} 75 \\ + 89 \\ \hline \end{array}$$

164

$$\begin{array}{r} 47 \\ \times 18 \\ \hline \end{array}$$

846

$$\begin{array}{r} 4275 \\ \div 57 \\ \hline \end{array}$$

75

$$\begin{array}{r} 36 \\ + 98 \\ \hline \end{array}$$

134

$$\begin{array}{r} 27 \\ + 66 \\ \hline \end{array}$$

93

$$\begin{array}{r} 285 \\ \div 19 \\ \hline \end{array}$$

15

$$\begin{array}{r} 17 \\ \times 85 \\ \hline \end{array}$$

1445

$$\begin{array}{r} 98 \\ + 46 \\ \hline \end{array}$$

144

$$\begin{array}{r} 40 \\ \times 63 \\ \hline \end{array}$$

2520

$$\begin{array}{r} 6003 \\ \div 69 \\ \hline \end{array}$$

87

$$\begin{array}{r} 133 \\ - 78 \\ \hline \end{array}$$

55

$$\begin{array}{r} 112 \\ - 91 \\ \hline \end{array}$$

21

$$\begin{array}{r} 118 \\ - 68 \\ \hline \end{array}$$

50

$$\begin{array}{r} 1856 \\ \div 58 \\ \hline \end{array}$$

32

$$\begin{array}{r} 28 \\ + 85 \\ \hline \end{array}$$

113

$$\begin{array}{r} 140 \\ - 82 \\ \hline \end{array}$$

58

$$\begin{array}{r} 42 \\ \times 97 \\ \hline \end{array}$$

4074

$$\begin{array}{r} 103 \\ - 62 \\ \hline \end{array}$$

41

$$\begin{array}{r} 84 \\ - 60 \\ \hline \end{array}$$

24

$$\begin{array}{r} 40 \\ \times 41 \\ \hline \end{array}$$

1640

$$\begin{array}{r} 7008 \\ \div 73 \\ \hline \end{array}$$

96

$$\begin{array}{r} 62 \\ - 15 \\ \hline \end{array}$$

47

$$\begin{array}{r} 40 \\ \times 40 \\ \hline \end{array}$$

1600

$$\begin{array}{r} 65 \\ + 66 \\ \hline \end{array}$$

131



¡Lo lograste!

Puntuación: ____ de 25

OPERACIONES DE PASCUAS (1)

Sigue al Conejo de Pascuas hasta su cesta. Calcula cada respuesta por el camino.



$$\begin{array}{r} 3080 \\ \div 35 \\ \hline \end{array}$$

$$\begin{array}{r} 35 \\ \times 38 \\ \hline \end{array}$$

$$\begin{array}{r} 6076 \\ \div 98 \\ \hline \end{array}$$

$$\begin{array}{r} 36 \\ + 88 \\ \hline \end{array}$$

$$\begin{array}{r} 23 \\ + 57 \\ \hline \end{array}$$

$$\begin{array}{r} 22 \\ + 78 \\ \hline \end{array}$$

$$\begin{array}{r} 93 \\ + 58 \\ \hline \end{array}$$

$$\begin{array}{r} 76 \\ \times 78 \\ \hline \end{array}$$

$$\begin{array}{r} 51 \\ + 78 \\ \hline \end{array}$$

$$\begin{array}{r} 2208 \\ \div 96 \\ \hline \end{array}$$

$$\begin{array}{r} 82 \\ - 35 \\ \hline \end{array}$$

$$\begin{array}{r} 85 \\ - 33 \\ \hline \end{array}$$

$$\begin{array}{r} 93 \\ + 81 \\ \hline \end{array}$$

$$\begin{array}{r} 2210 \\ \div 34 \\ \hline \end{array}$$

$$\begin{array}{r} 47 \\ - 11 \\ \hline \end{array}$$

$$\begin{array}{r} 3212 \\ \div 44 \\ \hline \end{array}$$

$$\begin{array}{r} 78 \\ \times 73 \\ \hline \end{array}$$

$$\begin{array}{r} 65 \\ - 37 \\ \hline \end{array}$$

$$\begin{array}{r} 92 \\ \times 80 \\ \hline \end{array}$$

$$\begin{array}{r} 77 \\ + 40 \\ \hline \end{array}$$

$$\begin{array}{r} 45 \\ - 27 \\ \hline \end{array}$$

$$\begin{array}{r} 75 \\ + 88 \\ \hline \end{array}$$

$$\begin{array}{r} 68 \\ - 24 \\ \hline \end{array}$$

$$\begin{array}{r} 460 \\ \div 23 \\ \hline \end{array}$$

$$\begin{array}{r} 6536 \\ \div 86 \\ \hline \end{array}$$



¡Lo lograste!

Puntuación: ___ de 25

OPERACIONES DE PASCUAS (1) RESPUESTAS

Sigue al Conejo de Pascuas hasta su cesta. Calcula cada respuesta por el camino.



$$\begin{array}{r} 3080 \\ \div 35 \\ \hline \end{array}$$

88

$$\begin{array}{r} 35 \\ \times 38 \\ \hline \end{array}$$

1330

$$\begin{array}{r} 6076 \\ \div 98 \\ \hline \end{array}$$

62

$$\begin{array}{r} 36 \\ + 88 \\ \hline \end{array}$$

124

$$\begin{array}{r} 23 \\ + 57 \\ \hline \end{array}$$

80

$$\begin{array}{r} 22 \\ + 78 \\ \hline \end{array}$$

100

$$\begin{array}{r} 93 \\ + 58 \\ \hline \end{array}$$

151

$$\begin{array}{r} 76 \\ \times 78 \\ \hline \end{array}$$

5928

$$\begin{array}{r} 51 \\ + 78 \\ \hline \end{array}$$

129

$$\begin{array}{r} 2208 \\ \div 96 \\ \hline \end{array}$$

23

$$\begin{array}{r} 82 \\ - 35 \\ \hline \end{array}$$

47

$$\begin{array}{r} 85 \\ - 33 \\ \hline \end{array}$$

52

$$\begin{array}{r} 93 \\ + 81 \\ \hline \end{array}$$

174

$$\begin{array}{r} 2210 \\ \div 34 \\ \hline \end{array}$$

65

$$\begin{array}{r} 47 \\ - 11 \\ \hline \end{array}$$

36

$$\begin{array}{r} 3212 \\ \div 44 \\ \hline \end{array}$$

73

$$\begin{array}{r} 78 \\ \times 73 \\ \hline \end{array}$$

5694

$$\begin{array}{r} 65 \\ - 37 \\ \hline \end{array}$$

28

$$\begin{array}{r} 92 \\ \times 80 \\ \hline \end{array}$$

7360

$$\begin{array}{r} 77 \\ + 40 \\ \hline \end{array}$$

117

$$\begin{array}{r} 45 \\ - 27 \\ \hline \end{array}$$

18

$$\begin{array}{r} 75 \\ + 88 \\ \hline \end{array}$$

163

$$\begin{array}{r} 68 \\ - 24 \\ \hline \end{array}$$

44

$$\begin{array}{r} 460 \\ \div 23 \\ \hline \end{array}$$

20

$$\begin{array}{r} 6536 \\ \div 86 \\ \hline \end{array}$$

76



¡Lo lograste!

Puntuación: ___ de 25

OPERACIONES DE PASCUAS (1)

Sigue al Conejo de Pascuas hasta su cesta. Calcula cada respuesta por el camino.



$$\begin{array}{r} 88 \\ - 74 \\ \hline \end{array}$$

$$\begin{array}{r} 1992 \\ \div 24 \\ \hline \end{array}$$

$$\begin{array}{r} 15 \\ \times 13 \\ \hline \end{array}$$

$$\begin{array}{r} 11 \\ \times 38 \\ \hline \end{array}$$

$$\begin{array}{r} 66 \\ \times 28 \\ \hline \end{array}$$

$$\begin{array}{r} 420 \\ \div 10 \\ \hline \end{array}$$

$$\begin{array}{r} 3132 \\ \div 58 \\ \hline \end{array}$$

$$\begin{array}{r} 44 \\ \times 35 \\ \hline \end{array}$$

$$\begin{array}{r} 3240 \\ \div 40 \\ \hline \end{array}$$

$$\begin{array}{r} 22 \\ \times 99 \\ \hline \end{array}$$

$$\begin{array}{r} 63 \\ \times 71 \\ \hline \end{array}$$

$$\begin{array}{r} 94 \\ - 62 \\ \hline \end{array}$$

$$\begin{array}{r} 12 \\ \times 16 \\ \hline \end{array}$$

$$\begin{array}{r} 6365 \\ \div 95 \\ \hline \end{array}$$

$$\begin{array}{r} 77 \\ \times 98 \\ \hline \end{array}$$

$$\begin{array}{r} 31 \\ \times 66 \\ \hline \end{array}$$

$$\begin{array}{r} 3201 \\ \div 97 \\ \hline \end{array}$$

$$\begin{array}{r} 73 \\ - 35 \\ \hline \end{array}$$

$$\begin{array}{r} 17 \\ + 88 \\ \hline \end{array}$$

$$\begin{array}{r} 30 \\ \times 99 \\ \hline \end{array}$$

$$\begin{array}{r} 52 \\ + 90 \\ \hline \end{array}$$

$$\begin{array}{r} 111 \\ - 30 \\ \hline \end{array}$$

$$\begin{array}{r} 45 \\ + 42 \\ \hline \end{array}$$

$$\begin{array}{r} 44 \\ \times 25 \\ \hline \end{array}$$

$$\begin{array}{r} 1428 \\ \div 28 \\ \hline \end{array}$$



¡Lo lograste!

Puntuación: ___ de 25

OPERACIONES DE PASCUAS (1) RESPUESTAS

Sigue al Conejo de Pascuas hasta su cesta. Calcula cada respuesta por el camino.



$$\begin{array}{r} 88 \\ - 74 \\ \hline \end{array}$$
14

$$\begin{array}{r} 1992 \\ \div 24 \\ \hline \end{array}$$
83

$$\begin{array}{r} 15 \\ \times 13 \\ \hline \end{array}$$
195

$$\begin{array}{r} 11 \\ \times 38 \\ \hline \end{array}$$
418

$$\begin{array}{r} 66 \\ \times 28 \\ \hline \end{array}$$
1848

$$\begin{array}{r} 420 \\ \div 10 \\ \hline \end{array}$$
42

$$\begin{array}{r} 3132 \\ \div 58 \\ \hline \end{array}$$
54

$$\begin{array}{r} 44 \\ \times 35 \\ \hline \end{array}$$
1540

$$\begin{array}{r} 3240 \\ \div 40 \\ \hline \end{array}$$
81

$$\begin{array}{r} 22 \\ \times 99 \\ \hline \end{array}$$
2178

$$\begin{array}{r} 63 \\ \times 71 \\ \hline \end{array}$$
4473

$$\begin{array}{r} 94 \\ - 62 \\ \hline \end{array}$$
32

$$\begin{array}{r} 12 \\ \times 16 \\ \hline \end{array}$$
192

$$\begin{array}{r} 6365 \\ \div 95 \\ \hline \end{array}$$
67

$$\begin{array}{r} 77 \\ \times 98 \\ \hline \end{array}$$
7546

$$\begin{array}{r} 31 \\ \times 66 \\ \hline \end{array}$$
2046

$$\begin{array}{r} 3201 \\ \div 97 \\ \hline \end{array}$$
33

$$\begin{array}{r} 73 \\ - 35 \\ \hline \end{array}$$
38

$$\begin{array}{r} 17 \\ + 88 \\ \hline \end{array}$$
105

$$\begin{array}{r} 30 \\ \times 99 \\ \hline \end{array}$$
2970

$$\begin{array}{r} 52 \\ + 90 \\ \hline \end{array}$$
142

$$\begin{array}{r} 111 \\ - 30 \\ \hline \end{array}$$
81

$$\begin{array}{r} 45 \\ + 42 \\ \hline \end{array}$$
87

$$\begin{array}{r} 44 \\ \times 25 \\ \hline \end{array}$$
1100

$$\begin{array}{r} 1428 \\ \div 28 \\ \hline \end{array}$$
51

¡Lo lograste!
 Puntuación: ____ de 25

OPERACIONES DE PASCUAS (1)

Sigue al Conejo de Pascuas hasta su cesta. Calcula cada respuesta por el camino.



$$\begin{array}{r} 103 \\ - 93 \\ \hline \square \end{array}$$

$$\begin{array}{r} 57 \\ - 13 \\ \hline \square \end{array}$$

$$\begin{array}{r} 64 \\ + 95 \\ \hline \square \end{array}$$

$$\begin{array}{r} 31 \\ \times 86 \\ \hline \square \end{array}$$

$$\begin{array}{r} 40 \\ - 29 \\ \hline \square \end{array}$$

$$\begin{array}{r} 43 \\ + 12 \\ \hline \square \end{array}$$

$$\begin{array}{r} 19 \\ \times 25 \\ \hline \square \end{array}$$

$$\begin{array}{r} 110 \\ - 68 \\ \hline \square \end{array}$$

$$\begin{array}{r} 57 \\ \times 59 \\ \hline \square \end{array}$$

$$\begin{array}{r} 6205 \\ \div 85 \\ \hline \square \end{array}$$

$$\begin{array}{r} 95 \\ - 18 \\ \hline \square \end{array}$$

$$\begin{array}{r} 112 \\ - 40 \\ \hline \square \end{array}$$

$$\begin{array}{r} 5525 \\ \div 85 \\ \hline \square \end{array}$$

$$\begin{array}{r} 20 \\ + 37 \\ \hline \square \end{array}$$

$$\begin{array}{r} 28 \\ + 90 \\ \hline \square \end{array}$$

$$\begin{array}{r} 57 \\ \times 76 \\ \hline \square \end{array}$$

$$\begin{array}{r} 135 \\ - 84 \\ \hline \square \end{array}$$

$$\begin{array}{r} 87 \\ \times 73 \\ \hline \square \end{array}$$

$$\begin{array}{r} 40 \\ \times 56 \\ \hline \square \end{array}$$

$$\begin{array}{r} 84 \\ + 40 \\ \hline \square \end{array}$$

$$\begin{array}{r} 55 \\ \times 15 \\ \hline \square \end{array}$$

$$\begin{array}{r} 38 \\ + 45 \\ \hline \square \end{array}$$

$$\begin{array}{r} 66 \\ - 22 \\ \hline \square \end{array}$$

$$\begin{array}{r} 34 \\ \times 61 \\ \hline \square \end{array}$$

$$\begin{array}{r} 108 \\ - 84 \\ \hline \square \end{array}$$



¡Lo lograste!

Puntuación: ___ de 25

OPERACIONES DE PASCUAS (1) RESPUESTAS

Sigue al Conejo de Pascuas hasta su cesta. Calcula cada respuesta por el camino.



$$\begin{array}{r} 103 \\ - 93 \\ \hline \end{array}$$

$$\begin{array}{r} 57 \\ - 13 \\ \hline \end{array}$$

$$\begin{array}{r} 64 \\ + 95 \\ \hline \end{array}$$

$$\begin{array}{r} 31 \\ \times 86 \\ \hline \end{array}$$

$$\begin{array}{r} 40 \\ - 29 \\ \hline \end{array}$$

$$\begin{array}{r} 43 \\ + 12 \\ \hline \end{array}$$

$$\begin{array}{r} 19 \\ \times 25 \\ \hline \end{array}$$

$$\begin{array}{r} 110 \\ - 68 \\ \hline \end{array}$$

$$\begin{array}{r} 57 \\ \times 59 \\ \hline \end{array}$$

$$\begin{array}{r} 6205 \\ \div 85 \\ \hline \end{array}$$

$$\begin{array}{r} 95 \\ - 18 \\ \hline \end{array}$$

$$\begin{array}{r} 112 \\ - 40 \\ \hline \end{array}$$

$$\begin{array}{r} 5525 \\ \div 85 \\ \hline \end{array}$$

$$\begin{array}{r} 20 \\ + 37 \\ \hline \end{array}$$

$$\begin{array}{r} 28 \\ + 90 \\ \hline \end{array}$$

$$\begin{array}{r} 57 \\ \times 76 \\ \hline \end{array}$$

$$\begin{array}{r} 135 \\ - 84 \\ \hline \end{array}$$

$$\begin{array}{r} 87 \\ \times 73 \\ \hline \end{array}$$

$$\begin{array}{r} 40 \\ \times 56 \\ \hline \end{array}$$

$$\begin{array}{r} 84 \\ + 40 \\ \hline \end{array}$$

$$\begin{array}{r} 55 \\ \times 15 \\ \hline \end{array}$$

$$\begin{array}{r} 38 \\ + 45 \\ \hline \end{array}$$

$$\begin{array}{r} 66 \\ - 22 \\ \hline \end{array}$$

$$\begin{array}{r} 34 \\ \times 61 \\ \hline \end{array}$$

$$\begin{array}{r} 108 \\ - 84 \\ \hline \end{array}$$



¡Lo lograste!
Puntuación: ____ de 25