

RESTAS DE PASCUAS (A)

Sigue al Conejo de Pascuas hasta su cesta. Calcula cada respuesta por el camino.



$$\begin{array}{r} 66 \\ - 39 \\ \hline \square \end{array} \longrightarrow \begin{array}{r} 23 \\ - 14 \\ \hline \square \end{array} \longrightarrow \begin{array}{r} 61 \\ - 33 \\ \hline \square \end{array}$$

$$\begin{array}{r} 67 \\ - 37 \\ \hline \square \end{array} \longleftarrow \begin{array}{r} 70 \\ - 44 \\ \hline \square \end{array} \longleftarrow \begin{array}{r} 71 \\ - 23 \\ \hline \square \end{array} \longleftarrow \begin{array}{r} 57 \\ - 43 \\ \hline \square \end{array}$$

$$\begin{array}{r} 44 \\ - 38 \\ \hline \square \end{array} \longrightarrow \begin{array}{r} 74 \\ - 47 \\ \hline \square \end{array} \longrightarrow \begin{array}{r} 74 \\ - 48 \\ \hline \square \end{array} \longrightarrow \begin{array}{r} 48 \\ - 17 \\ \hline \square \end{array}$$

$$\begin{array}{r} 35 \\ - 29 \\ \hline \square \end{array} \longleftarrow \begin{array}{r} 57 \\ - 34 \\ \hline \square \end{array} \longleftarrow \begin{array}{r} 28 \\ - 14 \\ \hline \square \end{array} \longleftarrow \begin{array}{r} 31 \\ - 22 \\ \hline \square \end{array}$$

$$\begin{array}{r} 91 \\ - 42 \\ \hline \square \end{array} \longrightarrow \begin{array}{r} 18 \\ - 13 \\ \hline \square \end{array} \longrightarrow \begin{array}{r} 63 \\ - 20 \\ \hline \square \end{array} \longrightarrow \begin{array}{r} 53 \\ - 26 \\ \hline \square \end{array}$$

$$\begin{array}{r} 66 \\ - 26 \\ \hline \square \end{array} \longleftarrow \begin{array}{r} 43 \\ - 10 \\ \hline \square \end{array} \longleftarrow \begin{array}{r} 67 \\ - 39 \\ \hline \square \end{array} \longleftarrow \begin{array}{r} 43 \\ - 18 \\ \hline \square \end{array}$$

$$\begin{array}{r} 46 \\ - 13 \\ \hline \square \end{array} \longrightarrow \begin{array}{r} 70 \\ - 28 \\ \hline \square \end{array}$$



¡Lo lograste!
Puntuación: ___ de 25

RESTAS DE PASCUAS (A) RESPUESTAS

Sigue al Conejo de Pascuas hasta su cesta. Calcula cada respuesta por el camino.



$$\begin{array}{r} 66 \\ - 39 \\ \hline 27 \end{array}$$

$$\begin{array}{r} 23 \\ - 14 \\ \hline 9 \end{array}$$

$$\begin{array}{r} 61 \\ - 33 \\ \hline 28 \end{array}$$

$$\begin{array}{r} 67 \\ - 37 \\ \hline 30 \end{array}$$

$$\begin{array}{r} 70 \\ - 44 \\ \hline 26 \end{array}$$

$$\begin{array}{r} 71 \\ - 23 \\ \hline 48 \end{array}$$

$$\begin{array}{r} 57 \\ - 43 \\ \hline 14 \end{array}$$

$$\begin{array}{r} 44 \\ - 38 \\ \hline 6 \end{array}$$

$$\begin{array}{r} 74 \\ - 47 \\ \hline 27 \end{array}$$

$$\begin{array}{r} 74 \\ - 48 \\ \hline 26 \end{array}$$

$$\begin{array}{r} 48 \\ - 17 \\ \hline 31 \end{array}$$

$$\begin{array}{r} 35 \\ - 29 \\ \hline 6 \end{array}$$

$$\begin{array}{r} 57 \\ - 34 \\ \hline 23 \end{array}$$

$$\begin{array}{r} 28 \\ - 14 \\ \hline 14 \end{array}$$

$$\begin{array}{r} 31 \\ - 22 \\ \hline 9 \end{array}$$

$$\begin{array}{r} 91 \\ - 42 \\ \hline 49 \end{array}$$

$$\begin{array}{r} 18 \\ - 13 \\ \hline 5 \end{array}$$

$$\begin{array}{r} 63 \\ - 20 \\ \hline 43 \end{array}$$

$$\begin{array}{r} 53 \\ - 26 \\ \hline 27 \end{array}$$

$$\begin{array}{r} 66 \\ - 26 \\ \hline 40 \end{array}$$


$$\begin{array}{r} 43 \\ - 10 \\ \hline 33 \end{array}$$

$$\begin{array}{r} 67 \\ - 39 \\ \hline 28 \end{array}$$

$$\begin{array}{r} 43 \\ - 18 \\ \hline 25 \end{array}$$

$$\begin{array}{r} 46 \\ - 13 \\ \hline 33 \end{array}$$

$$\begin{array}{r} 70 \\ - 28 \\ \hline 42 \end{array}$$



¡Lo lograste!
 Puntuación: ___ de 25

RESTAS DE PASCUAS (B)

Sigue al Conejo de Pascuas hasta su cesta. Calcula cada respuesta por el camino.



$$\begin{array}{r} 65 \\ - 33 \\ \hline \square \end{array} \quad \begin{array}{r} 33 \\ - 28 \\ \hline \square \end{array} \quad \begin{array}{r} 29 \\ - 23 \\ \hline \square \end{array}$$

$$\begin{array}{r} 67 \\ - 48 \\ \hline \square \end{array} \quad \begin{array}{r} 68 \\ - 37 \\ \hline \square \end{array} \quad \begin{array}{r} 67 \\ - 32 \\ \hline \square \end{array} \quad \begin{array}{r} 35 \\ - 22 \\ \hline \square \end{array}$$

$$\begin{array}{r} 57 \\ - 47 \\ \hline \square \end{array} \quad \begin{array}{r} 43 \\ - 29 \\ \hline \square \end{array} \quad \begin{array}{r} 46 \\ - 14 \\ \hline \square \end{array} \quad \begin{array}{r} 53 \\ - 14 \\ \hline \square \end{array}$$

$$\begin{array}{r} 34 \\ - 23 \\ \hline \square \end{array} \quad \begin{array}{r} 53 \\ - 4 \\ \hline \square \end{array} \quad \begin{array}{r} 22 \\ - 17 \\ \hline \square \end{array} \quad \begin{array}{r} 67 \\ - 35 \\ \hline \square \end{array}$$

$$\begin{array}{r} 52 \\ - 15 \\ \hline \square \end{array} \quad \begin{array}{r} 62 \\ - 48 \\ \hline \square \end{array} \quad \begin{array}{r} 51 \\ - 28 \\ \hline \square \end{array} \quad \begin{array}{r} 28 \\ - 2 \\ \hline \square \end{array}$$

$$\begin{array}{r} 19 \\ - 13 \\ \hline \square \end{array} \quad \begin{array}{r} 34 \\ - 31 \\ \hline \square \end{array} \quad \begin{array}{r} 72 \\ - 43 \\ \hline \square \end{array} \quad \begin{array}{r} 81 \\ - 42 \\ \hline \square \end{array}$$

$$\begin{array}{r} 54 \\ - 18 \\ \hline \square \end{array} \quad \begin{array}{r} 12 \\ - 1 \\ \hline \square \end{array}$$



¡Lo lograste!
Puntuación: ___ de 25

RESTAS DE PASCUAS (B) RESPUESTAS

Sigue al Conejo de Pascuas hasta su cesta. Calcula cada respuesta por el camino.



$$\begin{array}{r} 65 \\ - 33 \\ \hline \end{array}$$

$$\begin{array}{r} 33 \\ - 28 \\ \hline \end{array}$$

$$\begin{array}{r} 29 \\ - 23 \\ \hline \end{array}$$

$$\begin{array}{r} 67 \\ - 48 \\ \hline \end{array}$$

$$\begin{array}{r} 68 \\ - 37 \\ \hline \end{array}$$

$$\begin{array}{r} 67 \\ - 32 \\ \hline \end{array}$$

$$\begin{array}{r} 35 \\ - 22 \\ \hline \end{array}$$

$$\begin{array}{r} 57 \\ - 47 \\ \hline \end{array}$$

$$\begin{array}{r} 43 \\ - 29 \\ \hline \end{array}$$

$$\begin{array}{r} 46 \\ - 14 \\ \hline \end{array}$$

$$\begin{array}{r} 53 \\ - 14 \\ \hline \end{array}$$

$$\begin{array}{r} 34 \\ - 23 \\ \hline \end{array}$$

$$\begin{array}{r} 53 \\ - 4 \\ \hline \end{array}$$

$$\begin{array}{r} 22 \\ - 17 \\ \hline \end{array}$$

$$\begin{array}{r} 67 \\ - 35 \\ \hline \end{array}$$

$$\begin{array}{r} 52 \\ - 15 \\ \hline \end{array}$$

$$\begin{array}{r} 62 \\ - 48 \\ \hline \end{array}$$

$$\begin{array}{r} 51 \\ - 28 \\ \hline \end{array}$$

$$\begin{array}{r} 28 \\ - 2 \\ \hline \end{array}$$

$$\begin{array}{r} 19 \\ - 13 \\ \hline \end{array}$$

$$\begin{array}{r} 34 \\ - 31 \\ \hline \end{array}$$

$$\begin{array}{r} 72 \\ - 43 \\ \hline \end{array}$$

$$\begin{array}{r} 81 \\ - 42 \\ \hline \end{array}$$

$$\begin{array}{r} 54 \\ - 18 \\ \hline \end{array}$$

$$\begin{array}{r} 12 \\ - 1 \\ \hline \end{array}$$



¡Lo lograste!
Puntuación: ____ de 25

RESTAS DE PASCUAS (C)

Sigue al Conejo de Pascuas hasta su cesta. Calcula cada respuesta por el camino.



$$\begin{array}{r} 38 \\ - 22 \\ \hline \square \end{array}$$

$$\begin{array}{r} 41 \\ - 4 \\ \hline \square \end{array}$$

$$\begin{array}{r} 82 \\ - 42 \\ \hline \square \end{array}$$

$$\begin{array}{r} 34 \\ - 17 \\ \hline \square \end{array}$$

$$\begin{array}{r} 40 \\ - 11 \\ \hline \square \end{array}$$

$$\begin{array}{r} 72 \\ - 45 \\ \hline \square \end{array}$$

$$\begin{array}{r} 44 \\ - 9 \\ \hline \square \end{array}$$

$$\begin{array}{r} 62 \\ - 20 \\ \hline \square \end{array}$$

$$\begin{array}{r} 26 \\ - 12 \\ \hline \square \end{array}$$

$$\begin{array}{r} 27 \\ - 19 \\ \hline \square \end{array}$$

$$\begin{array}{r} 37 \\ - 23 \\ \hline \square \end{array}$$

$$\begin{array}{r} 9 \\ - 2 \\ \hline \square \end{array}$$

$$\begin{array}{r} 67 \\ - 44 \\ \hline \square \end{array}$$

$$\begin{array}{r} 58 \\ - 31 \\ \hline \square \end{array}$$

$$\begin{array}{r} 44 \\ - 26 \\ \hline \square \end{array}$$

$$\begin{array}{r} 69 \\ - 27 \\ \hline \square \end{array}$$

$$\begin{array}{r} 50 \\ - 17 \\ \hline \square \end{array}$$

$$\begin{array}{r} 57 \\ - 29 \\ \hline \square \end{array}$$

$$\begin{array}{r} 26 \\ - 12 \\ \hline \square \end{array}$$

$$\begin{array}{r} 73 \\ - 26 \\ \hline \square \end{array}$$

$$\begin{array}{r} 56 \\ - 40 \\ \hline \square \end{array}$$

$$\begin{array}{r} 37 \\ - 4 \\ \hline \square \end{array}$$

$$\begin{array}{r} 62 \\ - 19 \\ \hline \square \end{array}$$

$$\begin{array}{r} 28 \\ - 10 \\ \hline \square \end{array}$$

$$\begin{array}{r} 24 \\ - 7 \\ \hline \square \end{array}$$



¡Lo lograste!
Puntuación: ___ de 25

RESTAS DE PASCUAS (C) RESPUESTAS

Sigue al Conejo de Pascuas hasta su cesta. Calcula cada respuesta por el camino.



$$\begin{array}{r} 38 \\ - 22 \\ \hline 16 \end{array}$$

$$\begin{array}{r} 41 \\ - 4 \\ \hline 37 \end{array}$$

$$\begin{array}{r} 82 \\ - 42 \\ \hline 40 \end{array}$$

$$\begin{array}{r} 34 \\ - 17 \\ \hline 17 \end{array}$$

$$\begin{array}{r} 40 \\ - 11 \\ \hline 29 \end{array}$$

$$\begin{array}{r} 72 \\ - 45 \\ \hline 27 \end{array}$$

$$\begin{array}{r} 44 \\ - 9 \\ \hline 35 \end{array}$$

$$\begin{array}{r} 62 \\ - 20 \\ \hline 42 \end{array}$$

$$\begin{array}{r} 26 \\ - 12 \\ \hline 14 \end{array}$$

$$\begin{array}{r} 27 \\ - 19 \\ \hline 8 \end{array}$$

$$\begin{array}{r} 37 \\ - 23 \\ \hline 14 \end{array}$$

$$\begin{array}{r} 9 \\ - 2 \\ \hline 7 \end{array}$$

$$\begin{array}{r} 67 \\ - 44 \\ \hline 23 \end{array}$$

$$\begin{array}{r} 58 \\ - 31 \\ \hline 27 \end{array}$$

$$\begin{array}{r} 44 \\ - 26 \\ \hline 18 \end{array}$$

$$\begin{array}{r} 69 \\ - 27 \\ \hline 42 \end{array}$$

$$\begin{array}{r} 50 \\ - 17 \\ \hline 33 \end{array}$$

$$\begin{array}{r} 57 \\ - 29 \\ \hline 28 \end{array}$$

$$\begin{array}{r} 26 \\ - 12 \\ \hline 14 \end{array}$$

$$\begin{array}{r} 73 \\ - 26 \\ \hline 47 \end{array}$$


$$\begin{array}{r} 56 \\ - 40 \\ \hline 16 \end{array}$$

$$\begin{array}{r} 37 \\ - 4 \\ \hline 33 \end{array}$$

$$\begin{array}{r} 62 \\ - 19 \\ \hline 43 \end{array}$$

$$\begin{array}{r} 28 \\ - 10 \\ \hline 18 \end{array}$$

$$\begin{array}{r} 24 \\ - 7 \\ \hline 17 \end{array}$$



¡Lo lograste!
 Puntuación: ___ de 25

RESTAS DE PASCUAS (D)

Sigue al Conejo de Pascuas hasta su cesta. Calcula cada respuesta por el camino.



$$\begin{array}{r} 37 \\ - 25 \\ \hline \square \end{array} \quad \begin{array}{r} 73 \\ - 35 \\ \hline \square \end{array} \quad \begin{array}{r} 65 \\ - 43 \\ \hline \square \end{array}$$

$$\begin{array}{r} 49 \\ - 40 \\ \hline \square \end{array} \quad \begin{array}{r} 57 \\ - 38 \\ \hline \square \end{array} \quad \begin{array}{r} 56 \\ - 49 \\ \hline \square \end{array} \quad \begin{array}{r} 48 \\ - 13 \\ \hline \square \end{array}$$

$$\begin{array}{r} 66 \\ - 29 \\ \hline \square \end{array} \quad \begin{array}{r} 60 \\ - 38 \\ \hline \square \end{array} \quad \begin{array}{r} 74 \\ - 38 \\ \hline \square \end{array} \quad \begin{array}{r} 60 \\ - 47 \\ \hline \square \end{array}$$

$$\begin{array}{r} 27 \\ - 17 \\ \hline \square \end{array} \quad \begin{array}{r} 21 \\ - 14 \\ \hline \square \end{array} \quad \begin{array}{r} 41 \\ - 8 \\ \hline \square \end{array} \quad \begin{array}{r} 46 \\ - 32 \\ \hline \square \end{array}$$

$$\begin{array}{r} 51 \\ - 47 \\ \hline \square \end{array} \quad \begin{array}{r} 80 \\ - 37 \\ \hline \square \end{array} \quad \begin{array}{r} 65 \\ - 43 \\ \hline \square \end{array} \quad \begin{array}{r} 32 \\ - 2 \\ \hline \square \end{array}$$

$$\begin{array}{r} 41 \\ - 12 \\ \hline \square \end{array} \quad \begin{array}{r} 74 \\ - 49 \\ \hline \square \end{array} \quad \begin{array}{r} 65 \\ - 39 \\ \hline \square \end{array} \quad \begin{array}{r} 72 \\ - 43 \\ \hline \square \end{array}$$

$$\begin{array}{r} 13 \\ - 10 \\ \hline \square \end{array} \quad \begin{array}{r} 24 \\ - 17 \\ \hline \square \end{array}$$



¡Lo lograste!

Puntuación: ___ de 25

RESTAS DE PASCUAS (D) RESPUESTAS

Sigue al Conejo de Pascuas hasta su cesta. Calcula cada respuesta por el camino.



$$\begin{array}{r} 37 \\ - 25 \\ \hline 12 \end{array}$$

$$\begin{array}{r} 73 \\ - 35 \\ \hline 38 \end{array}$$

$$\begin{array}{r} 65 \\ - 43 \\ \hline 22 \end{array}$$

$$\begin{array}{r} 49 \\ - 40 \\ \hline 9 \end{array}$$

$$\begin{array}{r} 57 \\ - 38 \\ \hline 19 \end{array}$$

$$\begin{array}{r} 56 \\ - 49 \\ \hline 7 \end{array}$$

$$\begin{array}{r} 48 \\ - 13 \\ \hline 35 \end{array}$$

$$\begin{array}{r} 66 \\ - 29 \\ \hline 37 \end{array}$$

$$\begin{array}{r} 60 \\ - 38 \\ \hline 22 \end{array}$$

$$\begin{array}{r} 74 \\ - 38 \\ \hline 36 \end{array}$$

$$\begin{array}{r} 60 \\ - 47 \\ \hline 13 \end{array}$$

$$\begin{array}{r} 27 \\ - 17 \\ \hline 10 \end{array}$$

$$\begin{array}{r} 21 \\ - 14 \\ \hline 7 \end{array}$$

$$\begin{array}{r} 41 \\ - 8 \\ \hline 33 \end{array}$$

$$\begin{array}{r} 46 \\ - 32 \\ \hline 14 \end{array}$$

$$\begin{array}{r} 51 \\ - 47 \\ \hline 4 \end{array}$$

$$\begin{array}{r} 80 \\ - 37 \\ \hline 43 \end{array}$$

$$\begin{array}{r} 65 \\ - 43 \\ \hline 22 \end{array}$$

$$\begin{array}{r} 32 \\ - 2 \\ \hline 30 \end{array}$$

$$\begin{array}{r} 41 \\ - 12 \\ \hline 29 \end{array}$$

$$\begin{array}{r} 74 \\ - 49 \\ \hline 25 \end{array}$$

$$\begin{array}{r} 65 \\ - 39 \\ \hline 26 \end{array}$$

$$\begin{array}{r} 72 \\ - 43 \\ \hline 29 \end{array}$$

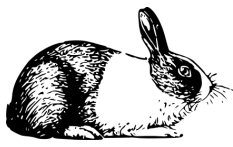
$$\begin{array}{r} 13 \\ - 10 \\ \hline 3 \end{array}$$

$$\begin{array}{r} 24 \\ - 17 \\ \hline 7 \end{array}$$

¡Lo lograste!
 Puntuación: ___ de 25

RESTAS DE PASCUAS

Sigue al Conejo de Pascuas hasta su cesta. Calcula cada respuesta por el camino.



$$\begin{array}{r} 39 \\ - 21 \\ \hline \square \end{array} \rightarrow \begin{array}{r} 71 \\ - 46 \\ \hline \square \end{array} \rightarrow \begin{array}{r} 20 \\ - 2 \\ \hline \square \end{array}$$

$$\begin{array}{r} 60 \\ - 43 \\ \hline \square \end{array} \leftarrow \begin{array}{r} 43 \\ - 19 \\ \hline \square \end{array} \leftarrow \begin{array}{r} 54 \\ - 10 \\ \hline \square \end{array} \leftarrow \begin{array}{r} 57 \\ - 35 \\ \hline \square \end{array}$$

$$\begin{array}{r} 73 \\ - 32 \\ \hline \square \end{array} \rightarrow \begin{array}{r} 38 \\ - 8 \\ \hline \square \end{array} \rightarrow \begin{array}{r} 46 \\ - 16 \\ \hline \square \end{array} \rightarrow \begin{array}{r} 58 \\ - 40 \\ \hline \square \end{array}$$

$$\begin{array}{r} 28 \\ - 19 \\ \hline \square \end{array} \leftarrow \begin{array}{r} 73 \\ - 47 \\ \hline \square \end{array} \leftarrow \begin{array}{r} 21 \\ - 6 \\ \hline \square \end{array} \leftarrow \begin{array}{r} 20 \\ - 3 \\ \hline \square \end{array}$$

$$\begin{array}{r} 38 \\ - 4 \\ \hline \square \end{array} \rightarrow \begin{array}{r} 53 \\ - 7 \\ \hline \square \end{array} \rightarrow \begin{array}{r} 77 \\ - 44 \\ \hline \square \end{array} \rightarrow \begin{array}{r} 72 \\ - 44 \\ \hline \square \end{array}$$

$$\begin{array}{r} 18 \\ - 12 \\ \hline \square \end{array} \leftarrow \begin{array}{r} 27 \\ - 1 \\ \hline \square \end{array} \leftarrow \begin{array}{r} 37 \\ - 17 \\ \hline \square \end{array} \leftarrow \begin{array}{r} 77 \\ - 38 \\ \hline \square \end{array}$$

$$\begin{array}{r} 49 \\ - 38 \\ \hline \square \end{array} \rightarrow \begin{array}{r} 24 \\ - 10 \\ \hline \square \end{array}$$



¡Lo lograste!
Puntuación: ___ de 25

RESTAS DE PASCUAS (E) RESPUESTAS

Sigue al Conejo de Pascuas hasta su cesta. Calcula cada respuesta por el camino.



$$\begin{array}{r} 39 \\ - 21 \\ \hline 18 \end{array}$$

$$\begin{array}{r} 71 \\ - 46 \\ \hline 25 \end{array}$$

$$\begin{array}{r} 20 \\ - 2 \\ \hline 18 \end{array}$$

$$\begin{array}{r} 60 \\ - 43 \\ \hline 17 \end{array}$$

$$\begin{array}{r} 43 \\ - 19 \\ \hline 24 \end{array}$$

$$\begin{array}{r} 54 \\ - 10 \\ \hline 44 \end{array}$$

$$\begin{array}{r} 57 \\ - 35 \\ \hline 22 \end{array}$$

$$\begin{array}{r} 73 \\ - 32 \\ \hline 41 \end{array}$$

$$\begin{array}{r} 38 \\ - 8 \\ \hline 30 \end{array}$$

$$\begin{array}{r} 46 \\ - 16 \\ \hline 30 \end{array}$$

$$\begin{array}{r} 58 \\ - 40 \\ \hline 18 \end{array}$$

$$\begin{array}{r} 28 \\ - 19 \\ \hline 9 \end{array}$$

$$\begin{array}{r} 73 \\ - 47 \\ \hline 26 \end{array}$$

$$\begin{array}{r} 21 \\ - 6 \\ \hline 15 \end{array}$$

$$\begin{array}{r} 20 \\ - 3 \\ \hline 17 \end{array}$$

$$\begin{array}{r} 38 \\ - 4 \\ \hline 34 \end{array}$$

$$\begin{array}{r} 53 \\ - 7 \\ \hline 46 \end{array}$$

$$\begin{array}{r} 77 \\ - 44 \\ \hline 33 \end{array}$$

$$\begin{array}{r} 72 \\ - 44 \\ \hline 28 \end{array}$$

$$\begin{array}{r} 18 \\ - 12 \\ \hline 6 \end{array}$$

$$\begin{array}{r} 27 \\ - 1 \\ \hline 26 \end{array}$$

$$\begin{array}{r} 37 \\ - 17 \\ \hline 20 \end{array}$$

$$\begin{array}{r} 77 \\ - 38 \\ \hline 39 \end{array}$$

$$\begin{array}{r} 49 \\ - 38 \\ \hline 11 \end{array}$$

$$\begin{array}{r} 24 \\ - 10 \\ \hline 14 \end{array}$$



¡Lo lograste!
Puntuación: ___ de 25

RESTAS DE PASCUAS (F)

Sigue al Conejo de Pascuas hasta su cesta. Calcula cada respuesta por el camino.



$$\begin{array}{r} 63 \\ - 47 \\ \hline \square \end{array} \quad \begin{array}{r} 53 \\ - 24 \\ \hline \square \end{array} \quad \begin{array}{r} 56 \\ - 11 \\ \hline \square \end{array}$$

$$\begin{array}{r} 52 \\ - 37 \\ \hline \square \end{array} \quad \begin{array}{r} 79 \\ - 48 \\ \hline \square \end{array} \quad \begin{array}{r} 79 \\ - 37 \\ \hline \square \end{array} \quad \begin{array}{r} 74 \\ - 43 \\ \hline \square \end{array}$$

$$\begin{array}{r} 59 \\ - 37 \\ \hline \square \end{array} \quad \begin{array}{r} 87 \\ - 49 \\ \hline \square \end{array} \quad \begin{array}{r} 53 \\ - 23 \\ \hline \square \end{array} \quad \begin{array}{r} 39 \\ - 5 \\ \hline \square \end{array}$$

$$\begin{array}{r} 37 \\ - 36 \\ \hline \square \end{array} \quad \begin{array}{r} 37 \\ - 25 \\ \hline \square \end{array} \quad \begin{array}{r} 61 \\ - 13 \\ \hline \square \end{array} \quad \begin{array}{r} 53 \\ - 20 \\ \hline \square \end{array}$$

$$\begin{array}{r} 50 \\ - 10 \\ \hline \square \end{array} \quad \begin{array}{r} 85 \\ - 42 \\ \hline \square \end{array} \quad \begin{array}{r} 43 \\ - 6 \\ \hline \square \end{array} \quad \begin{array}{r} 60 \\ - 37 \\ \hline \square \end{array}$$

$$\begin{array}{r} 29 \\ - 16 \\ \hline \square \end{array} \quad \begin{array}{r} 47 \\ - 13 \\ \hline \square \end{array} \quad \begin{array}{r} 50 \\ - 8 \\ \hline \square \end{array} \quad \begin{array}{r} 55 \\ - 34 \\ \hline \square \end{array}$$

$$\begin{array}{r} 23 \\ - 4 \\ \hline \square \end{array} \quad \begin{array}{r} 66 \\ - 42 \\ \hline \square \end{array}$$



¡Lo lograste!
Puntuación: ___ de 25

RESTAS DE PASCUAS (F) RESPUESTAS

Sigue al Conejo de Pascuas hasta su cesta. Calcula cada respuesta por el camino.



$$\begin{array}{r} 63 \\ - 47 \\ \hline 16 \end{array}$$

$$\begin{array}{r} 53 \\ - 24 \\ \hline 29 \end{array}$$

$$\begin{array}{r} 56 \\ - 11 \\ \hline 45 \end{array}$$

$$\begin{array}{r} 52 \\ - 37 \\ \hline 15 \end{array}$$

$$\begin{array}{r} 79 \\ - 48 \\ \hline 31 \end{array}$$

$$\begin{array}{r} 79 \\ - 37 \\ \hline 42 \end{array}$$

$$\begin{array}{r} 74 \\ - 43 \\ \hline 31 \end{array}$$

$$\begin{array}{r} 59 \\ - 37 \\ \hline 22 \end{array}$$

$$\begin{array}{r} 87 \\ - 49 \\ \hline 38 \end{array}$$

$$\begin{array}{r} 53 \\ - 23 \\ \hline 30 \end{array}$$

$$\begin{array}{r} 39 \\ - 5 \\ \hline 34 \end{array}$$

$$\begin{array}{r} 37 \\ - 36 \\ \hline 1 \end{array}$$

$$\begin{array}{r} 37 \\ - 25 \\ \hline 12 \end{array}$$

$$\begin{array}{r} 61 \\ - 13 \\ \hline 48 \end{array}$$

$$\begin{array}{r} 53 \\ - 20 \\ \hline 33 \end{array}$$

$$\begin{array}{r} 50 \\ - 10 \\ \hline 40 \end{array}$$

$$\begin{array}{r} 85 \\ - 42 \\ \hline 43 \end{array}$$

$$\begin{array}{r} 43 \\ - 6 \\ \hline 37 \end{array}$$

$$\begin{array}{r} 60 \\ - 37 \\ \hline 23 \end{array}$$

$$\begin{array}{r} 29 \\ - 16 \\ \hline 13 \end{array}$$


$$\begin{array}{r} 47 \\ - 13 \\ \hline 34 \end{array}$$

$$\begin{array}{r} 50 \\ - 8 \\ \hline 42 \end{array}$$

$$\begin{array}{r} 55 \\ - 34 \\ \hline 21 \end{array}$$

$$\begin{array}{r} 23 \\ - 4 \\ \hline 19 \end{array}$$

$$\begin{array}{r} 66 \\ - 42 \\ \hline 24 \end{array}$$



¡Lo lograste!
 Puntuación: ___ de 25

RESTAS DE PASCUAS (G)

Sigue al Conejo de Pascuas hasta su cesta. Calcula cada respuesta por el camino.



$$\begin{array}{r} 34 \\ - 18 \\ \hline \square \end{array} \quad \begin{array}{r} 75 \\ - 43 \\ \hline \square \end{array} \quad \begin{array}{r} 61 \\ - 31 \\ \hline \square \end{array}$$

$$\begin{array}{r} 66 \\ - 42 \\ \hline \square \end{array} \quad \begin{array}{r} 53 \\ - 12 \\ \hline \square \end{array} \quad \begin{array}{r} 53 \\ - 4 \\ \hline \square \end{array} \quad \begin{array}{r} 44 \\ - 19 \\ \hline \square \end{array}$$

$$\begin{array}{r} 5 \\ - 3 \\ \hline \square \end{array} \quad \begin{array}{r} 37 \\ - 24 \\ \hline \square \end{array} \quad \begin{array}{r} 63 \\ - 41 \\ \hline \square \end{array} \quad \begin{array}{r} 48 \\ - 46 \\ \hline \square \end{array}$$

$$\begin{array}{r} 79 \\ - 36 \\ \hline \square \end{array} \quad \begin{array}{r} 75 \\ - 29 \\ \hline \square \end{array} \quad \begin{array}{r} 76 \\ - 37 \\ \hline \square \end{array} \quad \begin{array}{r} 39 \\ - 33 \\ \hline \square \end{array}$$

$$\begin{array}{r} 23 \\ - 21 \\ \hline \square \end{array} \quad \begin{array}{r} 49 \\ - 18 \\ \hline \square \end{array} \quad \begin{array}{r} 23 \\ - 1 \\ \hline \square \end{array} \quad \begin{array}{r} 16 \\ - 9 \\ \hline \square \end{array}$$

$$\begin{array}{r} 32 \\ - 13 \\ \hline \square \end{array} \quad \begin{array}{r} 71 \\ - 33 \\ \hline \square \end{array} \quad \begin{array}{r} 31 \\ - 20 \\ \hline \square \end{array} \quad \begin{array}{r} 45 \\ - 31 \\ \hline \square \end{array}$$

$$\begin{array}{r} 41 \\ - 10 \\ \hline \square \end{array} \quad \begin{array}{r} 35 \\ - 3 \\ \hline \square \end{array}$$



¡Lo lograste!
Puntuación: ___ de 25

RESTAS DE PASCUAS (G) RESPUESTAS

Sigue al Conejo de Pascuas hasta su cesta. Calcula cada respuesta por el camino.



$$\begin{array}{r} 34 \\ - 18 \\ \hline 16 \end{array}$$

$$\begin{array}{r} 75 \\ - 43 \\ \hline 32 \end{array}$$

$$\begin{array}{r} 61 \\ - 31 \\ \hline 30 \end{array}$$

$$\begin{array}{r} 66 \\ - 42 \\ \hline 24 \end{array}$$

$$\begin{array}{r} 53 \\ - 12 \\ \hline 41 \end{array}$$

$$\begin{array}{r} 53 \\ - 4 \\ \hline 49 \end{array}$$

$$\begin{array}{r} 44 \\ - 19 \\ \hline 25 \end{array}$$

$$\begin{array}{r} 5 \\ - 3 \\ \hline 2 \end{array}$$

$$\begin{array}{r} 37 \\ - 24 \\ \hline 13 \end{array}$$

$$\begin{array}{r} 63 \\ - 41 \\ \hline 22 \end{array}$$

$$\begin{array}{r} 48 \\ - 46 \\ \hline 2 \end{array}$$

$$\begin{array}{r} 79 \\ - 36 \\ \hline 43 \end{array}$$

$$\begin{array}{r} 75 \\ - 29 \\ \hline 46 \end{array}$$

$$\begin{array}{r} 76 \\ - 37 \\ \hline 39 \end{array}$$

$$\begin{array}{r} 39 \\ - 33 \\ \hline 6 \end{array}$$

$$\begin{array}{r} 23 \\ - 21 \\ \hline 2 \end{array}$$

$$\begin{array}{r} 49 \\ - 18 \\ \hline 31 \end{array}$$

$$\begin{array}{r} 23 \\ - 1 \\ \hline 22 \end{array}$$

$$\begin{array}{r} 16 \\ - 9 \\ \hline 7 \end{array}$$

$$\begin{array}{r} 32 \\ - 13 \\ \hline 19 \end{array}$$

$$\begin{array}{r} 71 \\ - 33 \\ \hline 38 \end{array}$$

$$\begin{array}{r} 31 \\ - 20 \\ \hline 11 \end{array}$$

$$\begin{array}{r} 45 \\ - 31 \\ \hline 14 \end{array}$$

$$\begin{array}{r} 41 \\ - 10 \\ \hline 31 \end{array}$$

$$\begin{array}{r} 35 \\ - 3 \\ \hline 32 \end{array}$$

¡Lo lograste!
 Puntuación: ___ de 25

RESTAS DE PASCUAS (1)

Sigue al Conejo de Pascuas hasta su cesta. Calcula cada respuesta por el camino.



$$\begin{array}{r} 5 \\ - 2 \\ \hline \square \end{array} \longrightarrow \begin{array}{r} 33 \\ - 20 \\ \hline \square \end{array} \longrightarrow \begin{array}{r} 39 \\ - 23 \\ \hline \square \end{array}$$

$$\begin{array}{r} 33 \\ - 1 \\ \hline \square \end{array} \longleftarrow \begin{array}{r} 50 \\ - 49 \\ \hline \square \end{array} \longleftarrow \begin{array}{r} 45 \\ - 30 \\ \hline \square \end{array} \longleftarrow \begin{array}{r} 71 \\ - 39 \\ \hline \square \end{array}$$

$$\begin{array}{r} 64 \\ - 15 \\ \hline \square \end{array} \longrightarrow \begin{array}{r} 5 \\ - 1 \\ \hline \square \end{array} \longrightarrow \begin{array}{r} 72 \\ - 46 \\ \hline \square \end{array} \longrightarrow \begin{array}{r} 63 \\ - 17 \\ \hline \square \end{array}$$

$$\begin{array}{r} 40 \\ - 6 \\ \hline \square \end{array} \longleftarrow \begin{array}{r} 56 \\ - 43 \\ \hline \square \end{array} \longleftarrow \begin{array}{r} 91 \\ - 48 \\ \hline \square \end{array} \longleftarrow \begin{array}{r} 57 \\ - 29 \\ \hline \square \end{array}$$

$$\begin{array}{r} 55 \\ - 25 \\ \hline \square \end{array} \longrightarrow \begin{array}{r} 81 \\ - 38 \\ \hline \square \end{array} \longrightarrow \begin{array}{r} 50 \\ - 22 \\ \hline \square \end{array} \longrightarrow \begin{array}{r} 57 \\ - 23 \\ \hline \square \end{array}$$

$$\begin{array}{r} 49 \\ - 22 \\ \hline \square \end{array} \longleftarrow \begin{array}{r} 42 \\ - 4 \\ \hline \square \end{array} \longleftarrow \begin{array}{r} 62 \\ - 17 \\ \hline \square \end{array} \longleftarrow \begin{array}{r} 42 \\ - 4 \\ \hline \square \end{array}$$

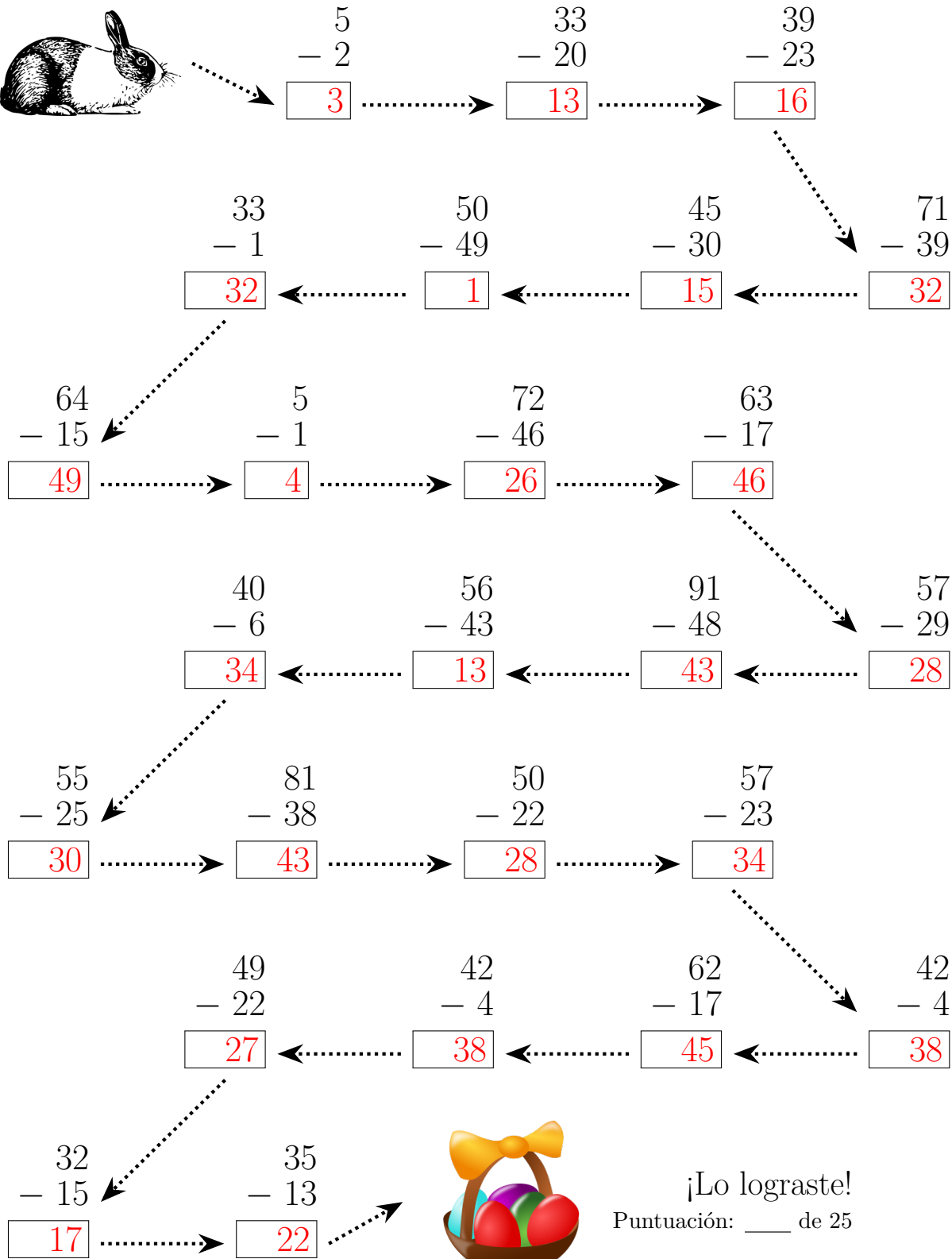
$$\begin{array}{r} 32 \\ - 15 \\ \hline \square \end{array} \longrightarrow \begin{array}{r} 35 \\ - 13 \\ \hline \square \end{array} \longrightarrow$$



¡Lo lograste!
Puntuación: ___ de 25

RESTAS DE PASCUAS (1) RESPUESTAS

Sigue al Conejo de Pascuas hasta su cesta. Calcula cada respuesta por el camino.



RESTAS DE PASCUAS (1)

Sigue al Conejo de Pascuas hasta su cesta. Calcula cada respuesta por el camino.



$$\begin{array}{r} 35 \\ - 13 \\ \hline \square \end{array} \longrightarrow \begin{array}{r} 25 \\ - 24 \\ \hline \square \end{array} \longrightarrow \begin{array}{r} 11 \\ - 5 \\ \hline \square \end{array}$$

$$\begin{array}{r} 41 \\ - 39 \\ \hline \square \end{array} \longleftarrow \begin{array}{r} 52 \\ - 42 \\ \hline \square \end{array} \longleftarrow \begin{array}{r} 19 \\ - 15 \\ \hline \square \end{array} \longleftarrow \begin{array}{r} 46 \\ - 15 \\ \hline \square \end{array}$$

$$\begin{array}{r} 69 \\ - 40 \\ \hline \square \end{array} \longrightarrow \begin{array}{r} 43 \\ - 2 \\ \hline \square \end{array} \longrightarrow \begin{array}{r} 31 \\ - 6 \\ \hline \square \end{array} \longrightarrow \begin{array}{r} 56 \\ - 25 \\ \hline \square \end{array}$$

$$\begin{array}{r} 32 \\ - 31 \\ \hline \square \end{array} \longleftarrow \begin{array}{r} 52 \\ - 11 \\ \hline \square \end{array} \longleftarrow \begin{array}{r} 67 \\ - 31 \\ \hline \square \end{array} \longleftarrow \begin{array}{r} 7 \\ - 4 \\ \hline \square \end{array}$$

$$\begin{array}{r} 60 \\ - 17 \\ \hline \square \end{array} \longrightarrow \begin{array}{r} 77 \\ - 42 \\ \hline \square \end{array} \longrightarrow \begin{array}{r} 25 \\ - 5 \\ \hline \square \end{array} \longrightarrow \begin{array}{r} 46 \\ - 32 \\ \hline \square \end{array}$$

$$\begin{array}{r} 63 \\ - 46 \\ \hline \square \end{array} \longleftarrow \begin{array}{r} 59 \\ - 43 \\ \hline \square \end{array} \longleftarrow \begin{array}{r} 86 \\ - 40 \\ \hline \square \end{array} \longleftarrow \begin{array}{r} 63 \\ - 15 \\ \hline \square \end{array}$$

$$\begin{array}{r} 65 \\ - 29 \\ \hline \square \end{array} \longrightarrow \begin{array}{r} 69 \\ - 41 \\ \hline \square \end{array}$$



¡Lo lograste!
Puntuación: ___ de 25

RESTAS DE PASCUAS (1) RESPUESTAS

Sigue al Conejo de Pascuas hasta su cesta. Calcula cada respuesta por el camino.



$$\begin{array}{r} 35 \\ - 13 \\ \hline \end{array}$$

22

$$\begin{array}{r} 25 \\ - 24 \\ \hline \end{array}$$

1

$$\begin{array}{r} 11 \\ - 5 \\ \hline \end{array}$$

6

$$\begin{array}{r} 41 \\ - 39 \\ \hline \end{array}$$

2

$$\begin{array}{r} 52 \\ - 42 \\ \hline \end{array}$$

10

$$\begin{array}{r} 19 \\ - 15 \\ \hline \end{array}$$

4

$$\begin{array}{r} 46 \\ - 15 \\ \hline \end{array}$$

31

$$\begin{array}{r} 69 \\ - 40 \\ \hline \end{array}$$

29

$$\begin{array}{r} 43 \\ - 2 \\ \hline \end{array}$$

41

$$\begin{array}{r} 31 \\ - 6 \\ \hline \end{array}$$

25

$$\begin{array}{r} 56 \\ - 25 \\ \hline \end{array}$$

31

$$\begin{array}{r} 32 \\ - 31 \\ \hline \end{array}$$

1

$$\begin{array}{r} 52 \\ - 11 \\ \hline \end{array}$$

41

$$\begin{array}{r} 67 \\ - 31 \\ \hline \end{array}$$

36

$$\begin{array}{r} 7 \\ - 4 \\ \hline \end{array}$$

3

$$\begin{array}{r} 60 \\ - 17 \\ \hline \end{array}$$

43

$$\begin{array}{r} 77 \\ - 42 \\ \hline \end{array}$$

35

$$\begin{array}{r} 25 \\ - 5 \\ \hline \end{array}$$

20

$$\begin{array}{r} 46 \\ - 32 \\ \hline \end{array}$$

14

$$\begin{array}{r} 63 \\ - 46 \\ \hline \end{array}$$

17

$$\begin{array}{r} 59 \\ - 43 \\ \hline \end{array}$$

16

$$\begin{array}{r} 86 \\ - 40 \\ \hline \end{array}$$

46

$$\begin{array}{r} 63 \\ - 15 \\ \hline \end{array}$$

48

$$\begin{array}{r} 65 \\ - 29 \\ \hline \end{array}$$

36

$$\begin{array}{r} 69 \\ - 41 \\ \hline \end{array}$$

28



¡Lo lograste!
Puntuación: ___ de 25

RESTAS DE PASCUAS CD

Sigue al Conejo de Pascuas hasta su cesta. Calcula cada respuesta por el camino.



$$\begin{array}{r} 39 \\ - 36 \\ \hline \square \end{array} \quad \begin{array}{r} 13 \\ - 4 \\ \hline \square \end{array} \quad \begin{array}{r} 39 \\ - 27 \\ \hline \square \end{array}$$

$$\begin{array}{r} 29 \\ - 27 \\ \hline \square \end{array} \quad \begin{array}{r} 15 \\ - 12 \\ \hline \square \end{array} \quad \begin{array}{r} 40 \\ - 31 \\ \hline \square \end{array} \quad \begin{array}{r} 45 \\ - 36 \\ \hline \square \end{array}$$

$$\begin{array}{r} 83 \\ - 36 \\ \hline \square \end{array} \quad \begin{array}{r} 17 \\ - 10 \\ \hline \square \end{array} \quad \begin{array}{r} 48 \\ - 27 \\ \hline \square \end{array} \quad \begin{array}{r} 44 \\ - 39 \\ \hline \square \end{array}$$

$$\begin{array}{r} 51 \\ - 2 \\ \hline \square \end{array} \quad \begin{array}{r} 79 \\ - 48 \\ \hline \square \end{array} \quad \begin{array}{r} 30 \\ - 4 \\ \hline \square \end{array} \quad \begin{array}{r} 83 \\ - 46 \\ \hline \square \end{array}$$

$$\begin{array}{r} 53 \\ - 30 \\ \hline \square \end{array} \quad \begin{array}{r} 82 \\ - 46 \\ \hline \square \end{array} \quad \begin{array}{r} 65 \\ - 39 \\ \hline \square \end{array} \quad \begin{array}{r} 43 \\ - 15 \\ \hline \square \end{array}$$

$$\begin{array}{r} 43 \\ - 21 \\ \hline \square \end{array} \quad \begin{array}{r} 57 \\ - 49 \\ \hline \square \end{array} \quad \begin{array}{r} 55 \\ - 11 \\ \hline \square \end{array} \quad \begin{array}{r} 31 \\ - 19 \\ \hline \square \end{array}$$

$$\begin{array}{r} 48 \\ - 41 \\ \hline \square \end{array} \quad \begin{array}{r} 42 \\ - 10 \\ \hline \square \end{array}$$



¡Lo lograste!
Puntuación: ___ de 25

RESTAS DE PASCUAS (O) RESPUESTAS

Sigue al Conejo de Pascuas hasta su cesta. Calcula cada respuesta por el camino.



$$\begin{array}{r} 39 \\ - 36 \\ \hline \end{array}$$

$$\begin{array}{r} 13 \\ - 4 \\ \hline \end{array}$$

$$\begin{array}{r} 39 \\ - 27 \\ \hline \end{array}$$

$$\begin{array}{r} 29 \\ - 27 \\ \hline \end{array}$$

$$\begin{array}{r} 15 \\ - 12 \\ \hline \end{array}$$

$$\begin{array}{r} 40 \\ - 31 \\ \hline \end{array}$$

$$\begin{array}{r} 45 \\ - 36 \\ \hline \end{array}$$

$$\begin{array}{r} 83 \\ - 36 \\ \hline \end{array}$$

$$\begin{array}{r} 17 \\ - 10 \\ \hline \end{array}$$

$$\begin{array}{r} 48 \\ - 27 \\ \hline \end{array}$$

$$\begin{array}{r} 44 \\ - 39 \\ \hline \end{array}$$

$$\begin{array}{r} 51 \\ - 2 \\ \hline \end{array}$$

$$\begin{array}{r} 79 \\ - 48 \\ \hline \end{array}$$

$$\begin{array}{r} 30 \\ - 4 \\ \hline \end{array}$$

$$\begin{array}{r} 83 \\ - 46 \\ \hline \end{array}$$

$$\begin{array}{r} 53 \\ - 30 \\ \hline \end{array}$$

$$\begin{array}{r} 82 \\ - 46 \\ \hline \end{array}$$

$$\begin{array}{r} 65 \\ - 39 \\ \hline \end{array}$$

$$\begin{array}{r} 43 \\ - 15 \\ \hline \end{array}$$

$$\begin{array}{r} 43 \\ - 21 \\ \hline \end{array}$$

$$\begin{array}{r} 57 \\ - 49 \\ \hline \end{array}$$

$$\begin{array}{r} 55 \\ - 11 \\ \hline \end{array}$$

$$\begin{array}{r} 31 \\ - 19 \\ \hline \end{array}$$

$$\begin{array}{r} 48 \\ - 41 \\ \hline \end{array}$$

$$\begin{array}{r} 42 \\ - 10 \\ \hline \end{array}$$



¡Lo lograste!
Puntuación: ____ de 25