

RESTAS DE PASCUAS (F)

Sigue al Conejo de Pascuas hasta su cesta. Calcula cada respuesta por el camino.



$$\begin{array}{r} 1165 \\ - 569 \\ \hline \square \end{array}$$

$$\begin{array}{r} 310 \\ - 128 \\ \hline \square \end{array}$$

$$\begin{array}{r} 1242 \\ - 921 \\ \hline \square \end{array}$$

$$\begin{array}{r} 1720 \\ - 832 \\ \hline \square \end{array}$$

$$\begin{array}{r} 545 \\ - 229 \\ \hline \square \end{array}$$

$$\begin{array}{r} 1164 \\ - 648 \\ \hline \square \end{array}$$

$$\begin{array}{r} 1588 \\ - 957 \\ \hline \square \end{array}$$

$$\begin{array}{r} 608 \\ - 586 \\ \hline \square \end{array}$$

$$\begin{array}{r} 488 \\ - 359 \\ \hline \square \end{array}$$

$$\begin{array}{r} 383 \\ - 311 \\ \hline \square \end{array}$$

$$\begin{array}{r} 1690 \\ - 939 \\ \hline \square \end{array}$$

$$\begin{array}{r} 1048 \\ - 407 \\ \hline \square \end{array}$$

$$\begin{array}{r} 1007 \\ - 800 \\ \hline \square \end{array}$$

$$\begin{array}{r} 401 \\ - 331 \\ \hline \square \end{array}$$

$$\begin{array}{r} 1151 \\ - 946 \\ \hline \square \end{array}$$

$$\begin{array}{r} 383 \\ - 7 \\ \hline \square \end{array}$$

$$\begin{array}{r} 1042 \\ - 950 \\ \hline \square \end{array}$$

$$\begin{array}{r} 1523 \\ - 802 \\ \hline \square \end{array}$$

$$\begin{array}{r} 1175 \\ - 219 \\ \hline \square \end{array}$$

$$\begin{array}{r} 328 \\ - 128 \\ \hline \square \end{array}$$

$$\begin{array}{r} 895 \\ - 582 \\ \hline \square \end{array}$$

$$\begin{array}{r} 841 \\ - 275 \\ \hline \square \end{array}$$

$$\begin{array}{r} 1217 \\ - 319 \\ \hline \square \end{array}$$

$$\begin{array}{r} 1020 \\ - 26 \\ \hline \square \end{array}$$

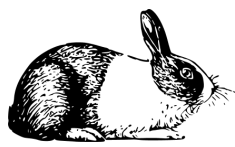
$$\begin{array}{r} 909 \\ - 371 \\ \hline \square \end{array}$$



¡Lo lograste!
Puntuación: ___ de 25

RESTAS DE PASCUAS (F) RESPUESTAS

Sigue al Conejo de Pascuas hasta su cesta. Calcula cada respuesta por el camino.



$$\begin{array}{r} 1165 \\ - 569 \\ \hline 596 \end{array}$$

$$\begin{array}{r} 310 \\ - 128 \\ \hline 182 \end{array}$$

$$\begin{array}{r} 1242 \\ - 921 \\ \hline 321 \end{array}$$

$$\begin{array}{r} 1720 \\ - 832 \\ \hline 888 \end{array}$$

$$\begin{array}{r} 545 \\ - 229 \\ \hline 316 \end{array}$$

$$\begin{array}{r} 1164 \\ - 648 \\ \hline 516 \end{array}$$

$$\begin{array}{r} 1588 \\ - 957 \\ \hline 631 \end{array}$$

$$\begin{array}{r} 608 \\ - 586 \\ \hline 22 \end{array}$$

$$\begin{array}{r} 488 \\ - 359 \\ \hline 129 \end{array}$$

$$\begin{array}{r} 383 \\ - 311 \\ \hline 72 \end{array}$$

$$\begin{array}{r} 1690 \\ - 939 \\ \hline 751 \end{array}$$

$$\begin{array}{r} 1048 \\ - 407 \\ \hline 641 \end{array}$$

$$\begin{array}{r} 1007 \\ - 800 \\ \hline 207 \end{array}$$

$$\begin{array}{r} 401 \\ - 331 \\ \hline 70 \end{array}$$

$$\begin{array}{r} 1151 \\ - 946 \\ \hline 205 \end{array}$$

$$\begin{array}{r} 383 \\ - 7 \\ \hline 376 \end{array}$$

$$\begin{array}{r} 1042 \\ - 950 \\ \hline 92 \end{array}$$

$$\begin{array}{r} 1523 \\ - 802 \\ \hline 721 \end{array}$$

$$\begin{array}{r} 1175 \\ - 219 \\ \hline 956 \end{array}$$

$$\begin{array}{r} 328 \\ - 128 \\ \hline 200 \end{array}$$


$$\begin{array}{r} 895 \\ - 582 \\ \hline 313 \end{array}$$

$$\begin{array}{r} 841 \\ - 275 \\ \hline 566 \end{array}$$

$$\begin{array}{r} 1217 \\ - 319 \\ \hline 898 \end{array}$$

$$\begin{array}{r} 1020 \\ - 26 \\ \hline 994 \end{array}$$

$$\begin{array}{r} 909 \\ - 371 \\ \hline 538 \end{array}$$



¡Lo lograste!
 Puntuación: ___ de 25